

## Instruction for UVC Sterilization Light

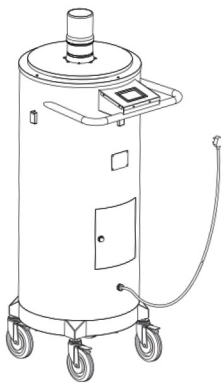
### **WARNING**

**Before proceeding with installation or service maintenance of this product:**

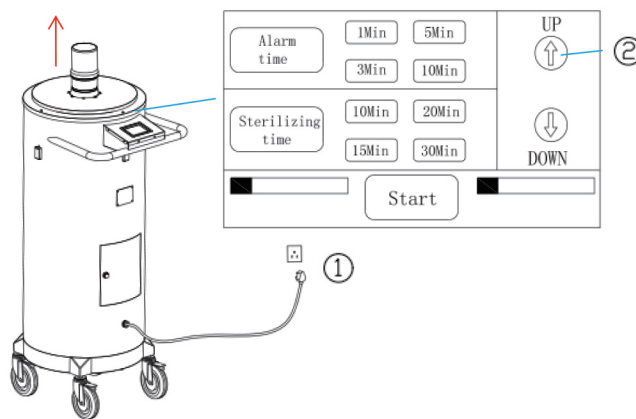
- Disconnect power to reduce electrical shock risk.
- Review the entire Installation Guide.
- Inspect this properly packaged product for any damage that may have occurred during transit.
- Verify product application complies with manufacturer design recommendations.
- Verify the availability of necessary tools and incidental material.
- Verify applicable code requirements. Field assembly and installation are subject to acceptance by local inspection authority.
- Appropriate safety equipment to be determined by end user, per applicable safety standards and precautions.

### Unpacking Procedure:

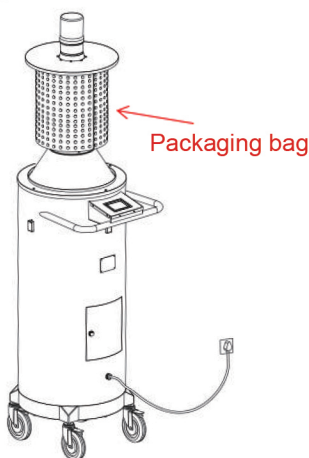
1. Open the package and check the appearance of light.



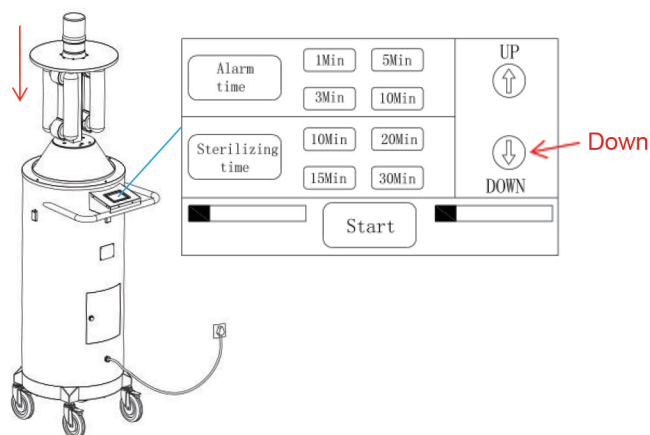
2. Plug in the UVC light. Then press the “up” button on the touch screen to make the tube rise to the top, as shown in the picture below:



3. Remove the packaging bag from the UVC tube as shown in the figure below. Please note that the tube is fragile.



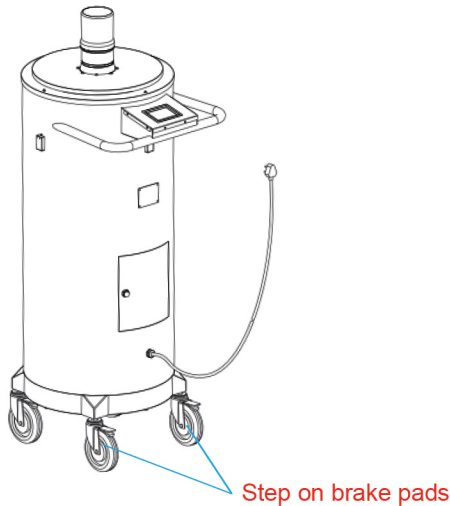
4. Press the “down” button on the touch screen to hide the tube in the light box. Turn off the power and plug off the UVC light, as shown in the figure below:



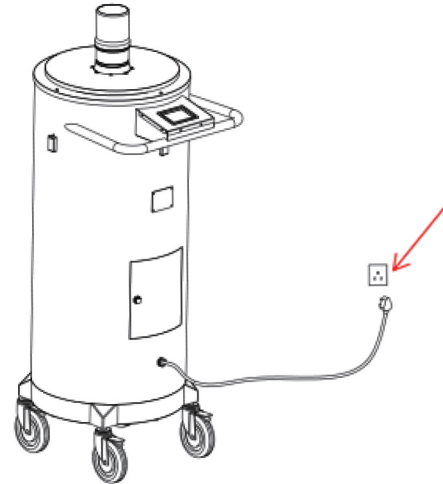
## Instruction for UVC Sterilization Light

### Operation Procedures:

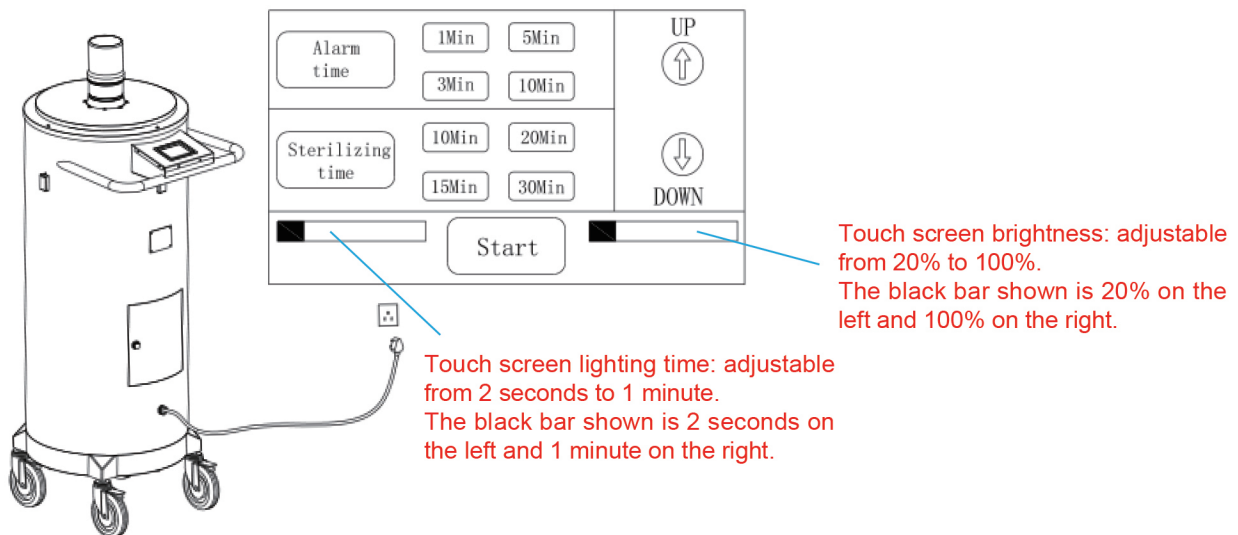
1. Push the lamp to the house where it needs to be sterilized, then step on the two universal wheel brake pads with your foot so that the light is fixed and cannot move, as shown in the picture below.



2. Plug on the UVC light as shown below:



3. Select on the touch screen: power on delay time and sterilization time, then press the start button, please leave the room immediately after hearing the alarm sound of the warning light, pay attention (in the use of ultraviolet lamp irradiation disinfection, should not be present, in order to avoid the direct exposure of ultraviolet ray to the eyes and skin injuries).



4. After sterilization is over, wait another 40 minutes before entering the room and open the doors and windows for ventilation.

**Note:** should keep the surface of the tube clean. If dust, oil, or any crud is found the on the appreance of the tube then it should be wiped and cleaned in time.