



# OFH -SERIES

**LED HIGH BAY LIGHT**

UP TO **170ML/W**

**1500W MHL REPLACEMENT**

● POWER: 300W/400W/460W

# LED HIGH BAY LIGHT

## SPECIFICATIONS & FEATURE

• oFH series is designed for Industrial lighting , a superior high output, high efficiency LED high bay light, featuring a unique optical design that virtually eliminates glare with minimal impact on performance. It is available in a variety of distributions for lighting applications such as factory, warehouses, workshops etc.

## CONSTRUCTION

- Light engine is thermally isolated from driver components;
- UV stabilized polyester powder paint finish;
- Horizontal and vertical aiming.

## OPTICAL / ELECTRICAL

- Four distributions to maximize performance:15°, 30°, 60°, 90° ;
- -40°C ~50°C operating temp range;
- 1-10V dimming driver standard
- 100-277V operation 50/60HZ standard, 347-480V 50/60HZ optional;

## LIGHTNING PROTECTION

- With 20KV surge protection device option.

## UNIFIED GLARE RATING

• Glare has always been a concern with LED products and it has got increasingly more attention with higher output fixtures. The standard low glare shield block lights outside of the main beam, so from other viewing angles the fixture virtually disappears. The low glare shields are also designed to have minimum impact on the total light output.

## FINISH

- Rugged, weather-tight design and 3G Vibration ratings ensure durability even in harsh environments.

## LED

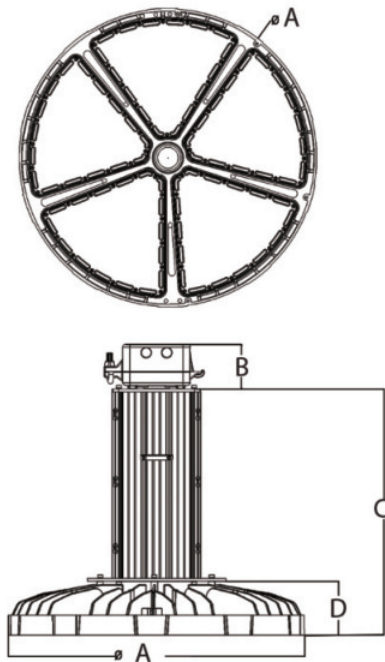
- Modular optical assemblies enable 3 unique performance packages:
  - 50K lumens, 300Watts;
  - 60K lumens, 400Watts;
  - 70K lumens, 460Watts;
- 3000K, 4000K, 5000K, 5700K, 6500K CCT;
- Minimum CRI of 70, 80 and 90 optional.

up to 170lm/w

OFH SERIES



## FIXTURE DIMENSIONS



A	B	C	D
55.6cm/21.92"	8.3cm/3.27"	46.1cm/18.18"	10.0cm/3.96"

## CERTIFICATIONS/LISTINGS



## ORDERING INFORMATION

AOK	-	-	-	-	-	-	-	-	-
WATTS	VOLTAGE	LED CHIPS	TYPE OF SENSOR	CCT&CRI	DISTRIBUTION	HOUSING	OPTIONS	MOUNT	
300WoFH 400WoFH 460WoFH	NV=100-277V HV=347/480V	L5=Lumileds5050	00=Without Sensor SN=Motion sensor DV=Dimmable	3070=3000K 70CRI 4070=4000K 70CRI 5070=5000K 70CRI 5770=5700K 70CRI 6570=6500K 70CRI 3080=3000K 80CRI 4080=4000K 80CRI 5080=5000K 80CRI 5780=5700K 80CRI 6580=6500K 80CRI	15D=15deg 30D=30deg 60D=60deg 90D=90deg	BK=Black	10KV SPD 20KV SPD	HOOK MOUNT	



**CONSTRUCTION FEATURES OF OFH SERIES**

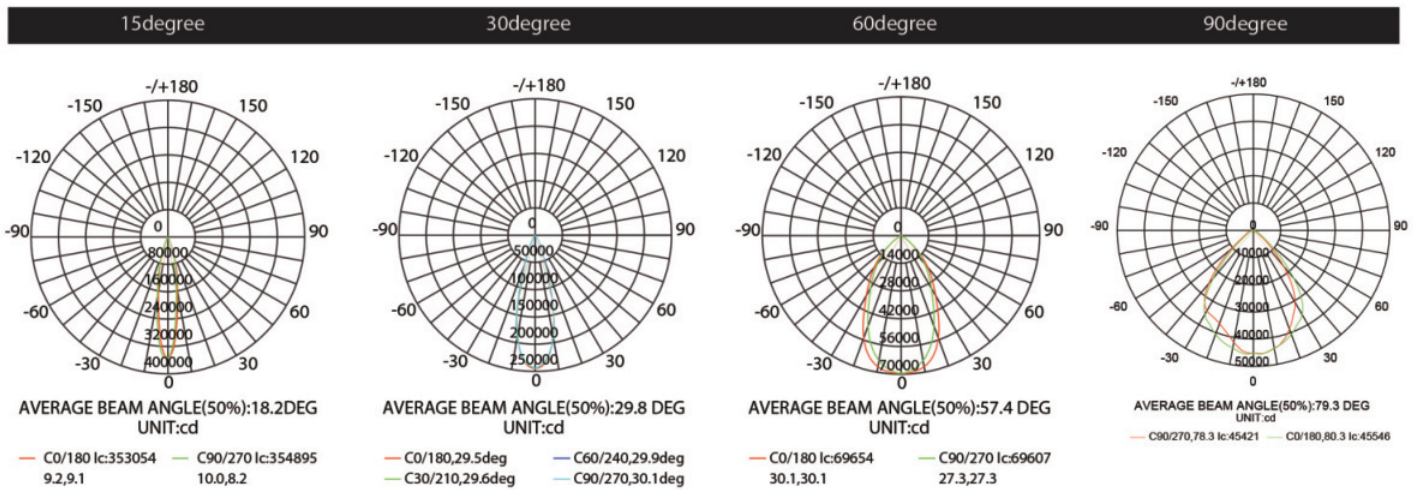
1. Driver box cover
2. Surge protection device
3. Die casting fixture body
4. Junction Box
5. Top level performance driver 1-10V dimmable
6. Optical grade polycarbonate lens multiple beam angles optional



**TECHNICAL SPECIFICATIONS @5000K**

MODEL	WATTS	REPLACE MHL	LUMINAIRE LUMEN OUTPUT	IP&IK	FIXTURE DIMENSION	NW	MAXIMUM CURRENT
AOK-300WoFH	300W	1000W	45925 / 15° 51536 / 30° 50487 / 60° 46279 / 90°	IP54&IK08	23*12*23" (58*31*58cm)	44lbs (20kg)	3.3A
AOK-400WoFH	400W	1200W	56222 / 15° 65915 / 30° 65032 / 60° 59943 / 90°	IP54&IK08	23*12*23" (58*31*58cm)	44lbs (20kg)	4.4A
AOK-460WoFH	460W	1500W	61112 / 15° 73004 / 30° 74136 / 60° 67697 / 90°	IP54&IK08	23*12*23" (58*31*58cm)	44lbs (20kg)	5.1A

**PHOTOMETRY**



SPECIFICATIONS AND DETAILS ARE SUBJECT TO CHANGE WITHOUT NOTIFICATION, CONTACT ANTEC FOR UP TO DATE DETAILS.