

**High Temperature
Environment
Lighting Solution**



OHL -SERIES

LED HIGH BAY LIGHT

UP TO **1500W HPS/MH REPLACEMENT**

POWER: 100W/150W/240W/300W/420W

**EXPERTS WITH
PROFESSIONAL SOLUTION**

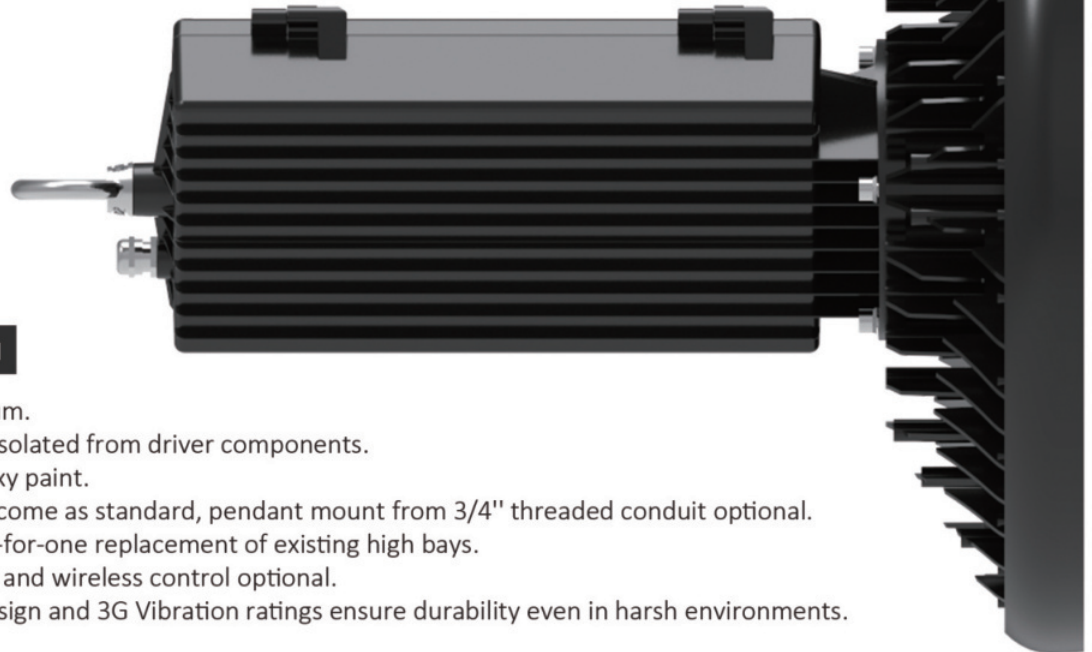
WWW.AOKLEDLIGHT.COM

SPECIFICATIONS

oHL series is designed for Indoor and Industrial lighting, a superior high efficiency LED High Bay light, featuring a unique optical design that virtually eliminates glare with minimal impact on performance. As a lighting solution for high temperature environment.



LPW: UP TO 175LM/W



CONSTRUCTION & FINISH

- Housing: Die cast aluminum.
- Light engine is thermally isolated from driver components.
- Aluminum body with epoxy paint.
- Installation: Fixture hook come as standard, pendant mount from 3/4" threaded conduit optional.
- Symmetrical for easy one-for-one replacement of existing high bays.
- Integrated motion sensor and wireless control optional.
- Rugged, weather-tight design and 3G Vibration ratings ensure durability even in harsh environments.



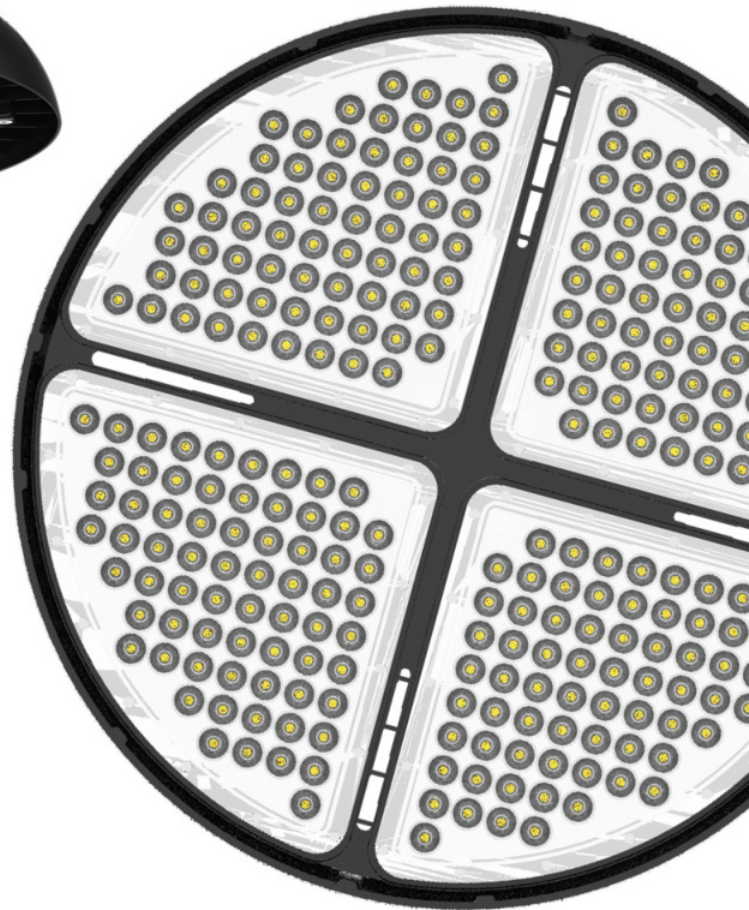
FEATURE

High-Temperature Environment -40°C~70°C	IP66 IK10	CRI 70/80
200-480V 100-277V 50/60HZ	L70 >90000H	- 2700K - 3000K - 4000K - 5000K - 5700K - 6500K
ULR =0	THD <20%	UGR <22
DIM	L90B10 >52000hrs	

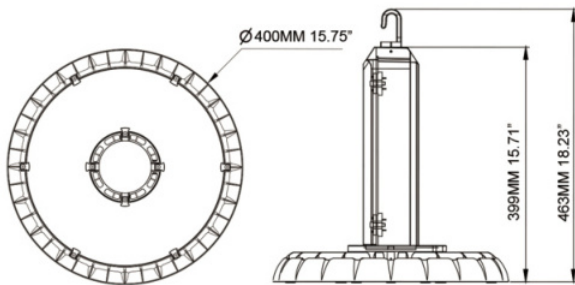


UNIFIED GLARE RATING

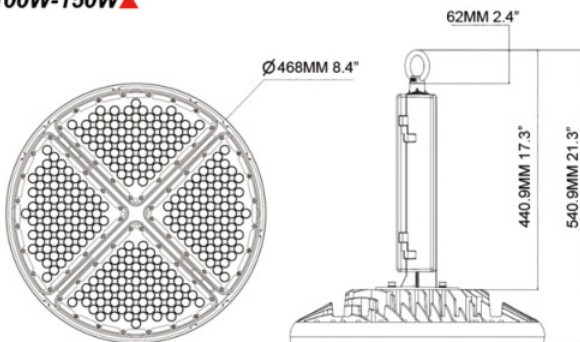
● Glare has always been a concern with LED products and it has got increasingly more attention with higher output fixtures. The standard low glare shield block lights outside of the main beam, so from other viewing angles the fixture virtually disappears. The low glare shields were also design to have minimum impact on the total light output.



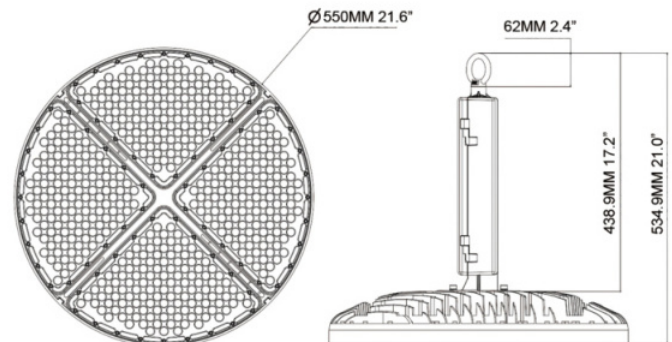
FIXTURE DIMENSIONS



100W-150W ▲



240W-300W ▲



420W ▲

TECHNICAL SPECIFICATIONS

MODEL	WATTS	VOLTAGE	EFFICACY	CRI	REPLACE HPS/MH	LENS	NW	FIXTURE DIMENSION
AOK-100WoHL	100W	100-277Vac 277-347Vac	140LM/W@3000K 150LM/W@5700K	Ra>70 Ra>80	200-400W	Tempered Glass 110°	12.78lbs (5.8kg)	Φ400*463mm* (Φ15.75*18.23in)
AOK-150WoHL	150W	100-277Vac 277-347Vac	140LM/W@3000K 150LM/W@5700K	Ra>70 Ra>80	400-600W	Tempered Glass 110°	12.78lbs (5.8kg)	Φ400*463mm* (Φ15.75*18.23in)
AOK-240WoHL	240W	100-277Vac 277-347Vac	150LM/W@3000K 175LM/W@5700K	Ra>70 Ra>80	600-800W	PC 30°/60°/90°	45.19lbs (20.5kg)	Φ468*468*218mm* (Φ15.75*18.23*8.5in)
AOK-300WoHL	300W	100-277Vac 277-347Vac	145LM/W@3000K 170LM/W@5700K	Ra>70 Ra>80	800-1000W	PC 30°/60°/90°	45.19lbs (20.5kg)	Φ468*468*218mm* (Φ15.75*18.23*8.5in)
AOK-420WoHL	420W	100-277Vac 277-347Vac	145LM/W@3000K 170LM/W@5700K	Ra>70 Ra>80	1000-1500W	PC 30°/60°/90°	45.19lbs (22.0kg)	Φ550*550*332.3mm* (Φ21.6*21.6*13.1in)

ORDERING INFORMATION

AOK	-		-		-		-		-		-			
WATTS		VOLTAGE		LED CHIPS		TYPE OF SENSOR		CCT&CRI		DISTRIBUTION		MOUNT		HOUSING
100WoHL 150WoHL 240WoHL 300WoHL 420WoHL		NV=100-277V HV=227-347V		L3 = LUMILEDS3030 L5 = LUMILEDS5050		00= Without Sensor SN= Motion Sensor		2780=2700K 80CRI 3080= 3000K 80CRI 4080= 4000K 80CRI 5080= 5000K 80CRI 5780= 5700K 80CRI 6580= 6500K 80CRI		110D=110° 30D=30° 60D=60° 90D=90°		Chain Mount Hook Mount Pipe Mount Eye Bolt		BK=Black

PHOTOMETRY

