

# IF Series Installation Guide

This procedure is designed as an installation aid. Skilled tradespeople that are familiar with general construction and electrical installation techniques should perform the installation. Licensed electricians should provide electrical installation connections. Installations and connections should be done in accordance with all national and local codes and permits. In no way is this document intended to construe warranty or fitness of use of the products described, nor is it intended to provide safety instruction for those installing the product.

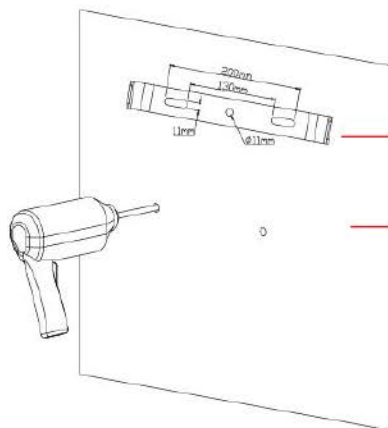
## ⚡ WARNING

Before proceeding with installation or service maintenance of this product:

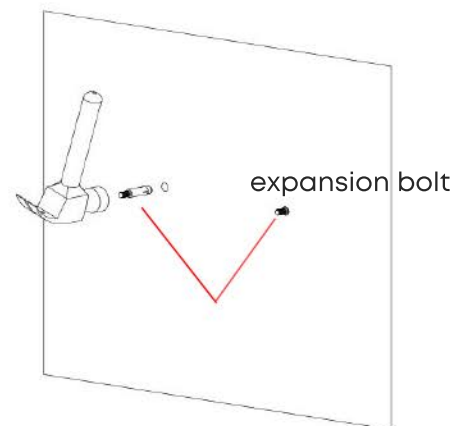
- Disconnect power to reduce electrical shock risk.
- Review the entire Installation Guide.
- Inspect this properly packaged product for any damage that may have occurred during transit.
- Verify product application complies with manufacturer design recommendations.
- Verify the availability of necessary tools and incidental material.
- Verify applicable code requirements. Field assembly and installation are subject to acceptance by local inspection authority.
- Appropriate safety equipment to be determined by end user, per applicable safety standards and precautions.

## Installation steps

1. According to the installation hole size of the installation bracket, using a tool (electric drill) to drill a hole on the mounting surface.



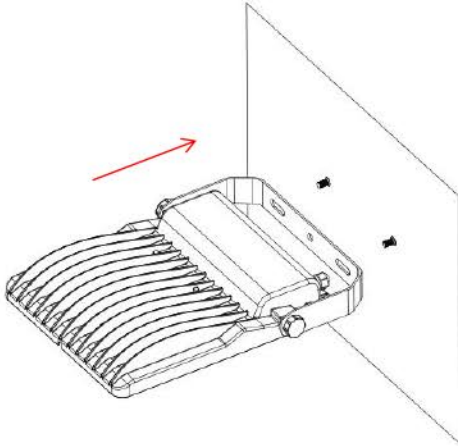
2. Using a tool (hammer) to knock expansion bolt in the hole.



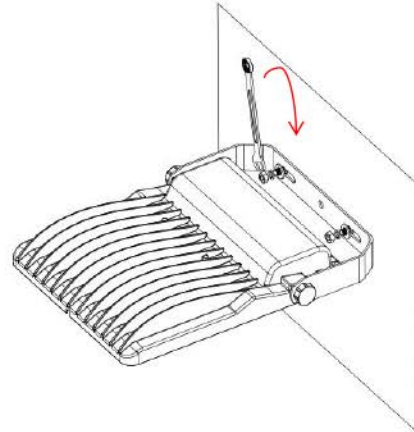
# IF Series Installation Guide

## Standard Luminaire Installation

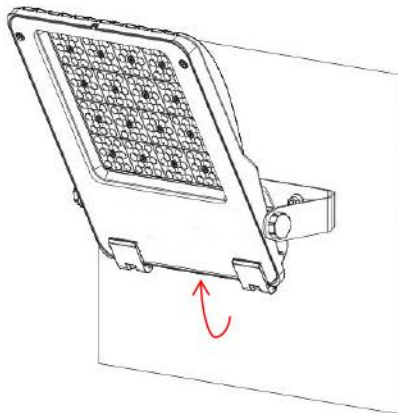
3. Please make sure that the holes of the bracket is aligned to the expansion bolt, and then push the bracket to the mounting surface.



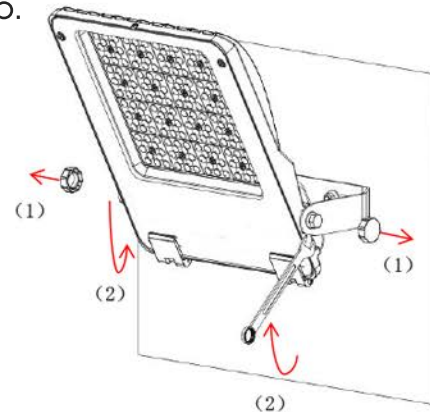
4. Put the flat cushion, spring cushion and nut in turn on the bolt, then tighten nuts with tools as below photo.



5. Rotate the light to a suitable angle as below photo.



6. Remove the screw caps at both ends, then tighten screws for bracket at both ends with tools as below photo.



7. Install screw caps at both ends, then connect the input wire, finish installation the light as below photo.

