



IK **LED STREET LIGHT**
SUITABLE FOR EUROPEAN STREETS


100+ Patent Certificates
\$1,000,000+ Annual Energy Saving
10,000+ Projects Successfully Installed



OVER YEARS 
10 EXPERIENCE
www.aokledlight.com

> Features of IK Series

- Power range: from 20W to 150W.
- Precision engineered individual lenses made of optical grade Mitsubishi polycarbonate for maximum light intensity.
- Micro-lens systems produce IESNA Type II, Type III, Type IV distributions. Luminaries produces 0% total lumens above 90 ° (BUG Rating, U=0). Delivers improved visual comfort by lower glare and providing a wider smoother and more uniform light output.
- Optical systems maintain an IP66 rating.
- Available in 3000K, 4000K, 5000K, 5700K, 6500K CCT.
- Efficacy 155lm/W as standard, higher lumen output, precision light pattern ensures more energy saved.
- Cutoff classification: Cutoff, no up light pollution.
- Minimum CRI of 70, 80, and 90 optional.
- With Tempered Glass cover.
- Rugged, weather-tight design and 3G Vibration ratings ensure durability even in harsh environments.

UP TO 155 lm/W	L90B10 >52000hrs @ 25°C	100-277V 50/60HZ	THD <20%	Class I AND Class II
• 2700K • 3000K • 4000K • 5000K • 5700K • 6500K	CRI 70/80/90	ULR =0	 DIM	SAFETY PROTECTION AUTO TURN-OFF
Working Temperature Environment -40°C~50°C (-40°F~+122°F)	IP66 IK09	3G VIBRATION TESTING		



5 **10** **WARRANTY**
5 Year Limited Warranty,
10 Year Preferred Warranty.
Please consult with our sales for detailed agreement.

wally@aokledlight.com
+1 626-986-4050 (US)
+86 755 2357 9148 (CN)
©2022 AOK LED LIGHT CO., LTD. All Right Reserved.



> Photometric Design

- Optimized, premium optical grade Mitsubishi polycarbonate lens, the efficient design of the modules make each light engine highly customizable, allowing the light distribution to be aimed toward the application.
- Optical systems allow for versatility, tight cutoffs, and flexible control for a wide variety of applications.
- We deliver innovation and customization, further expanding the flexibility of the project. Exceptional uniformity and low glare for maximum comfort and neighbor-friendly.



- The photometric engine takes advantage of the latest generation of mid-power LEDs and dedicated optics for professional applications.
- Combined with Lumileds 3030/5050 it provides an alternative solution for those who are looking for very cost-effective yet efficient lighting while keeping the same luminaire design.

Distribution

TYPE II (T201)



TYPE II (T202)



TYPE II (T211)



TYPE II (T221)



TYPE III (T301)



TYPE III (T302)



TYPE III (T311)



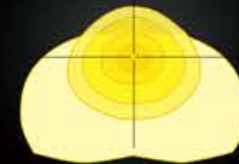
TYPE III (T321)



TYPE IV (T402)



TYPE IV (T411)

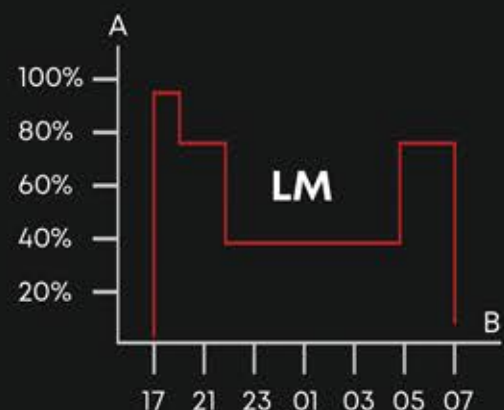


> Control Systems

Custom Dimming Profile

Intelligent luminaire drivers can be programmed with complex dimming profiles. With customized combinations of time intervals and light levels are possible. This feature does not require any extra wiring.

The period between switching on and switching off is used to activate the preset dimming profile. The customised dimming system generates maximum energy savings while respecting the required lighting levels and uniformity throughout the night.



A sensor mounting hole is reserved on the top to facilitate future installation.

Buckle design, tool-less entry hinged removable door for easy maintenance.

Daylight Sensor / Photocell

Photocell or daylight sensors switch the luminaire on as soon natural light falls to a certain level. It can be programmed to switch on during a storm, on a cloudy day (in critical areas) or only at nightfall so as to provide safety and comfort in public spaces.



Smart standards. Smarter lighting.

LoRaWAN® Luminaire Controller Zhaga (Optional)

It is an easily installable wireless device for remote control of the LED luminaires. Device is equipped with Zhaga compliant connector and controls the luminaire through DALI or DALI-2 interface. Controller is available now for LoRaWAN®, NB-IoT and LTE-M network. Modern and small design makes it excellent fit to various street lighting modules.

LoRaWAN® Luminaire Controller NEMA (Optional)

LoRaWAN® Luminaire Controller NEMA is a remote control device for LED luminaires equipped with ANSI C136.41 NEMA receptacle. The luminaire is controlled through DALI or 0..10V analog control interfaces, while providing a reliable power interconnect with three robust twist lock contacts.

> Application Reference

- Road lighting
- Area lighting
- Perimeter lighting



Parameter Table

Electrical Specifications

Model	AOK-20WIK	AOK-30WIK	AOK-40WIK	AOK-50WIK	AOK-60WIK
Power(W)	20 W	30 W	40 W	50 W	60 W
Input voltage	100-277VAC, 50/60Hz				
THD	<20%				
PF	>0.95				
Driver	Meanwell / Inventronics / Philips. Class 1/ Class 2, EU				
Operating temperature	-40°C to 50°C (-40 °F to 122 °F)				

Control Option DALI, 1-10V/ PWM / timer dimming, Nema, Zhaga, Presence detection sensor. Dim-to-Off with standby power <= 0.5W.

Surge Protection 6kV line-line, 10kV line-earth, 20KV SPD available.

Photometric Specifications

Efficacy(lm/W) (CRI 70Ra, 4000K) (Std Dev ±3%)	T201	152 lm/W	152 lm/W	151 lm/W	147 lm/W	143 lm/W
	T202	152 lm/W	153 lm/W	152 lm/W	151 lm/W	149 lm/W
	T211	153 lm/W	153 lm/W	151 lm/W	147 lm/W	144 lm/W
	T212	151 lm/W	152 lm/W	154 lm/W	152 lm/W	150 lm/W
	T221	158 lm/W	158 lm/W	155 lm/W	152 lm/W	149 lm/W
	T301	144 lm/W	144 lm/W	142 lm/W	139 lm/W	135 lm/W
	T302	152 lm/W	153 lm/W	152 lm/W	151 lm/W	149 lm/W
	T311	150 lm/W	150 lm/W	147 lm/W	143 lm/W	140 lm/W
	T312	150 lm/W	153 lm/W	152 lm/W	150 lm/W	148 lm/W
	T321	158 lm/W	155 lm/W	152 lm/W	149 lm/W	146 lm/W
	T402	152 lm/W	153 lm/W	152 lm/W	151 lm/W	149 lm/W
	T411	154 lm/W	154 lm/W	151 lm/W	148 lm/W	144 lm/W

Luminous flux (lm) (CRI 70Ra, 4000K) (Std Dev ±3%)	T201	3040 lm	4560 lm	6040 lm	7350 lm	8580 lm
	T202	3040 lm	4590 lm	6080 lm	7550 lm	8940 lm
	T211	3060 lm	4590 lm	6040 lm	7350 lm	8640 lm
	T212	3020 lm	4560 lm	6160 lm	7600 lm	9000 lm
	T221	3160 lm	4740 lm	6200 lm	7600 lm	8940 lm
	T301	2880 lm	4320 lm	5680 lm	6950 lm	8100 lm
	T302	3040 lm	4590 lm	6080 lm	7550 lm	8940 lm
	T311	3000 lm	4500 lm	5880 lm	7150 lm	8400 lm
	T312	3000 lm	4590 lm	6080 lm	7500 lm	8880 lm
	T321	3160 lm	4650 lm	6080 lm	7450 lm	8760 lm
	T402	3040 lm	4590 lm	6080 lm	7550 lm	8940 lm
	T411	3080 lm	4620 lm	6040 lm	7400 lm	8640 lm

ULOR = 0%, @ Luminaire inclination 0°

CCT 3000K, 4000K, 5000K, 5700K, 6500K

CRI 70Ra, 80Ra, 90Ra optional

Beam angle T2(85°*150°)/T3(80°*150°)/T4(126°*145°)

LED Manufacturer LUMILEDS

LED model Lumileds 3030/Lumileds 5050

Working current of single LED Measured according to project requirements

Lens Polycarbonate & tempered glass(5 mm thick)

Mechanical Specifications

IP/IK IP66/IK09, according to standard EN 60529 and EN 62262

Vibration resistance 3G, conform to standard IEC 68-2-6.

SCx	Front: 0.110231m ² ; Side: 0.027272m ² ; Front-side: 0.020633m ²	Front: 0.110231m ² ; Side: 0.027272m ² ; Front-side: 0.020633m ²
-----	---	---

Materials Heavy-duty die-cast aluminum (EN AC-46100)

Surface treatment Anti-UV thermosetting polyester / 80 micron epoxy primer + Anti-UV thermosetting polyester (for extremely corrosive environments).

Painting Black, Silver, Custom request

Cable Pre-wired with a 30 cm cable (Other lengths on request)

Mounting Side Entry/Post Top

Others

Lifespan L90B10 - 52 000 h, @Tq 25°C

Warranty 5 years (Warranty extension up to 10 years on request)

Certification CB, CE, RoHS, ENEC (The company is ISO 9001 and ISO 14001 certified.)

Product Size 650*240*140mm 650*240*140mm 650*240*140mm 650*240*140mm 650*240*140mm

Net Weight 5.34kg 5.34kg 5.34kg 5.34kg 5.34kg

Carton size 672*300*195mm 672*300*195mm 672*300*195mm 672*300*195mm 672*300*195mm

Gross weight 7.02kg 7.02kg 7.02kg 7.02kg 7.02kg

Recommend installation General 4-12m, based on actual project requirements

Application field Urban and rural street

Electrical Specifications

Model	AOK-75WIK	AOK-90WIK	AOK-120WIK	AOK-150WIK
Power(W)	75 W	90 W	120 W	150 W
Input voltage	100-277VAC, 50/60Hz			
THD	<20%			
PF	>0.95			
Driver	Meanwell / Inventronics / Philips. Class 1/ Class 2, EU			
Operating temperature	-40°C to 50°C (-40 °F to 122 °F)			

Control Option DALI, 1-10V/ PWM / timer dimming, Nema, Zhaga, Presence detection sensor. Dim-to-Off with standby power <= 0.5W.

Surge Protection 6kV line-line, 10kV line-earth, 20KV SPD available.

Photometric Specifications

Efficacy(lm/W) (CRI 70Ra, 4000K) (Std Dev ±3%)	T201	137 lm/W	154 lm/W	149 lm/W	146 lm/W
	T202	145 lm/W	144 lm/W	141 lm/W	140 lm/W
	T211	138 lm/W	154 lm/W	149 lm/W	145 lm/W
	T212	146 lm/W	155 lm/W	152 lm/W	148 lm/W
	T221	144 lm/W	154 lm/W	151 lm/W	148 lm/W
	T301	131 lm/W	147 lm/W	142 lm/W	139 lm/W
	T302	145 lm/W	144 lm/W	141 lm/W	140 lm/W
	T311	136 lm/W	151 lm/W	145 lm/W	142 lm/W
	T312	146 lm/W	145 lm/W	141 lm/W	137 lm/W
	T321	143 lm/W	154 lm/W	151 lm/W	148 lm/W
	T402	145 lm/W	144 lm/W	141 lm/W	140 lm/W
	T411	140 lm/W	155 lm/W	152 lm/W	148 lm/W

Luminous flux (lm) (CRI 70Ra, 4000K) (Std Dev ±3%)	T201	10275 lm	13860 lm	17880 lm	21900 lm
	T202	10875 lm	12960 lm	16920 lm	21000 lm
	T211	10350 lm	13860 lm	17880 lm	21750 lm
	T212	10950 lm	13950 lm	18240 lm	22200 lm
	T221	10800 lm	13860 lm	18120 lm	22200 lm
	T301	9825 lm	13230 lm	17040 lm	20850 lm
	T302	10875 lm	12960 lm	16920 lm	21000 lm
	T311	10200 lm	13590 lm	17400 lm	21300 lm
	T312	10950 lm	13050 lm	16920 lm	20550 lm
	T321	10725 lm	13860 lm	18120 lm	22200 lm
	T402	10875 lm	12960 lm	16920 lm	21000 lm
	T411	10500 lm	13950 lm	18240 lm	22200 lm

ULOR = 0%, @ Luminaire inclination 0°

CCT 3000K, 4000K, 5000K, 5700K, 6500K

CRI 70Ra, 80Ra, 90Ra optional

Beam angle T2(85°*150°)/T3(80°*150°)/T4(126°*145°)

LED Manufacturer LUMILEDS

LED model Lumileds 3030/Lumileds 5050

Working current of single LED Measured according to project requirements

Lens Polycarbonate & tempered glass(5 mm thick)

Mechanical Specifications

IP/IK IP66/IK09, according to standard EN 60529 and EN 62262

Vibration resistance 3G, conform to standard IEC 68-2-6.

SCx	Front: 0.110231m ² ; Side: 0.027272m ² ; Front-side: 0.020633m ²	Side: 0.034287m ² ; Front-side: 0.026801m ²
-----	---	--

Materials Heavy-duty die-cast aluminum (EN AC-46100)

Surface treatment Anti-UV thermosetting polyester / 80 micron epoxy primer + Anti-UV thermosetting polyester (for extremely corrosive environments).

Painting Black, Silver, Custom request

Cable Pre-wired with a 30 cm cable (Other lengths on request)

Mounting Side Entry/Post Top

Others

Lifespan L90B10 - 52 000 h, @Tq 25°C

Warranty 5 years (Warranty extension up to 10 years on request)

Certification CB, CE, RoHS, ENEC (The company is ISO 9001 and ISO 14001 certified.)

Product Size 650*240*140mm 765*290*145mm 765*290*145mm 765*290*145mm

Net Weight 5.34kg 7.9kg 7.9kg 8.05kg

Carton size 672*300*195mm 784*356*195mm 784*356*195mm 784*356*195mm

Gross weight 7.02kg 9.98kg 9.98kg 10.5kg

Recommend installation General 4-12m, based on actual project requirements

Application field Urban and rural street

IK Series Specification Sheet

*Due to the constant improvements in product development, individual parameters might change. Please refer to our sales or R&D team for most up-to-date content as specifications are subject to change without notice.

wally@aokledlight.com

+1 626-986-4050 (US)

+86 755 2357 9148 (CN)

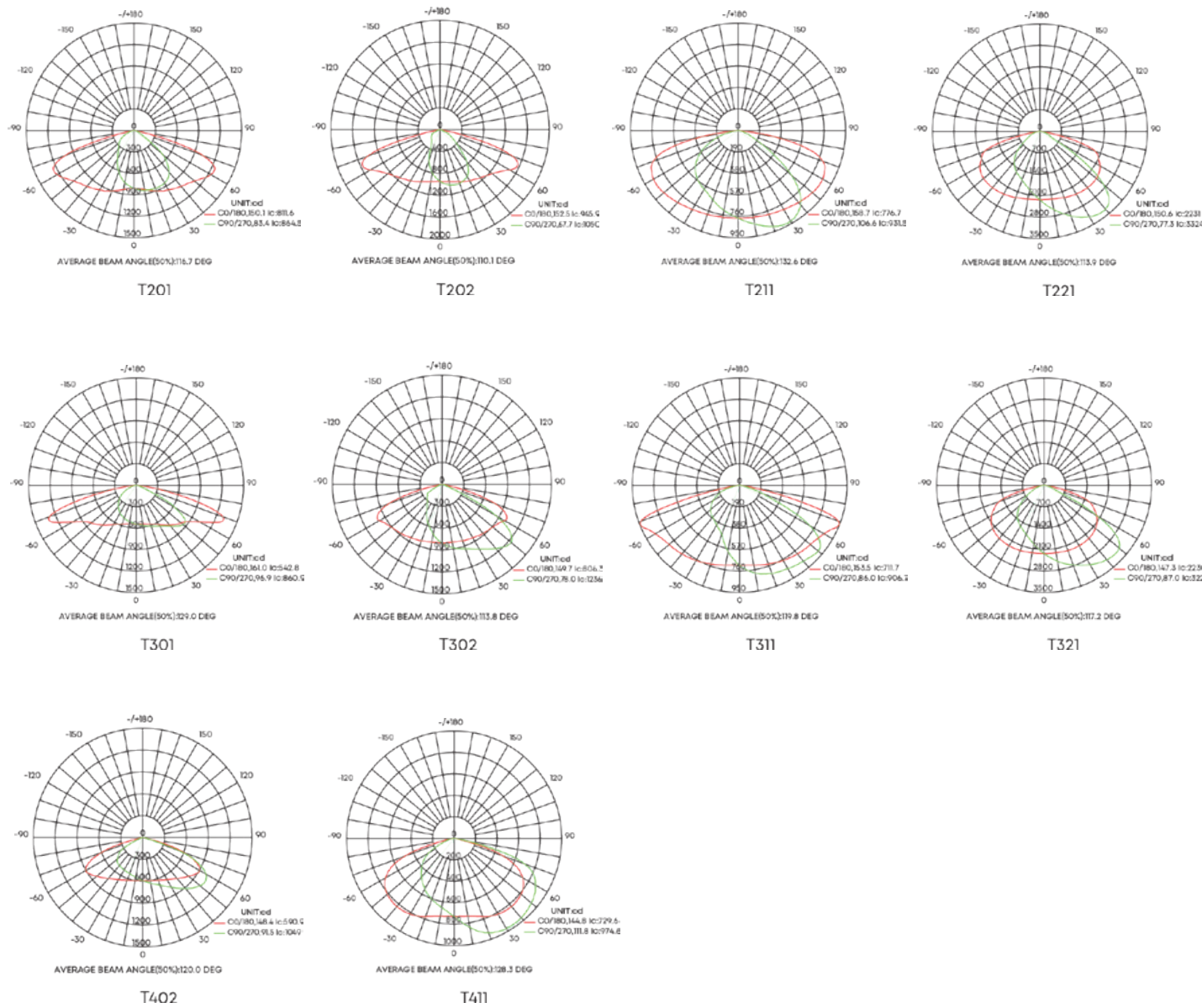
©2022 AOK LED LIGHT CO., LTD. All Right Reserved.



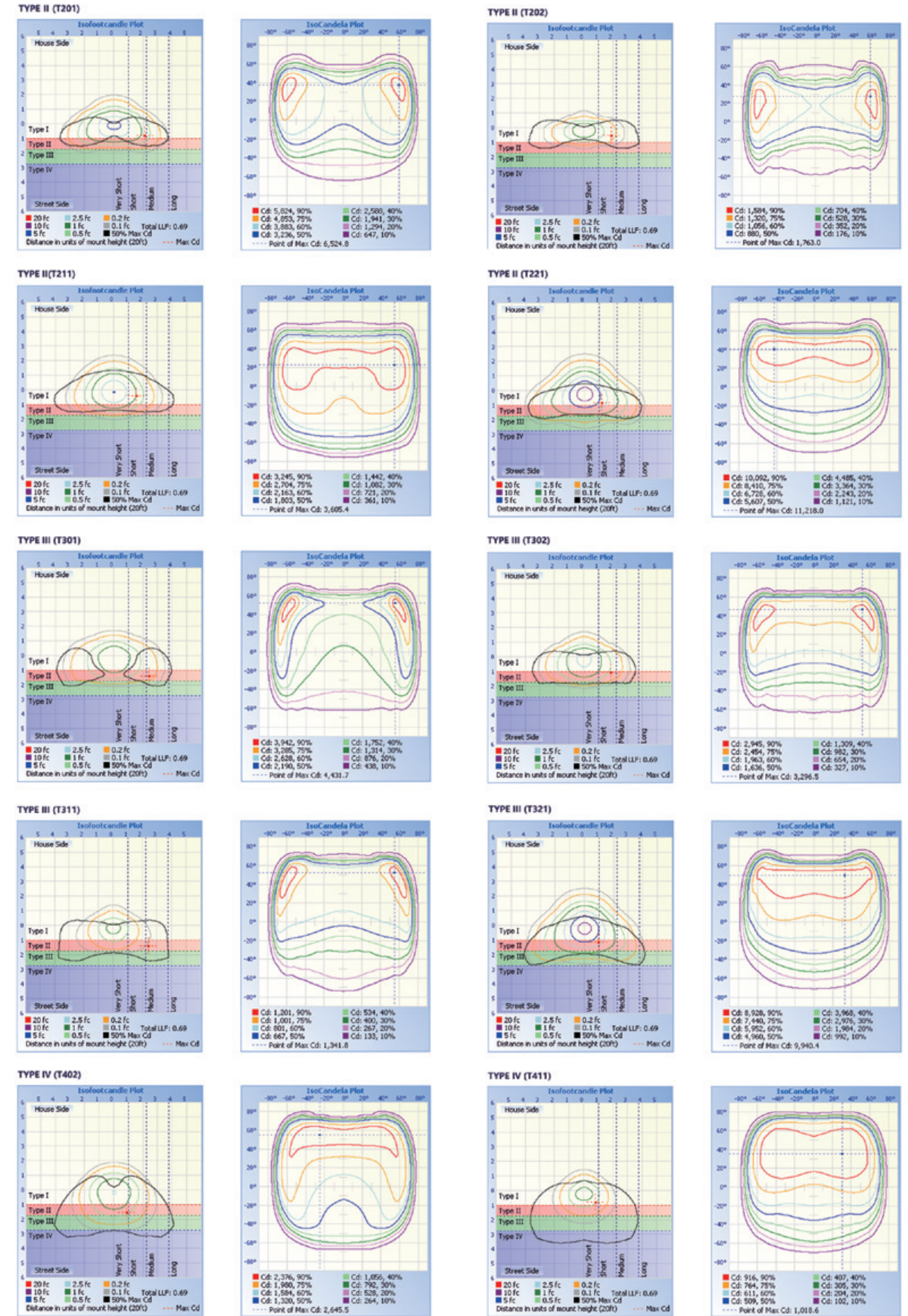
Ordering Information

WATTS	VOLTAGE	LED CHIPS	TYPE OF SENSOR	CCT&CRI	DISTRIBUTION	HOUSING	OPTION
20WiK	NV=100-277V	L3=Lumileds3030	00=Without Sensor	3070=3000K 70CRI	T2=Type II	SG=Silver Gray	10KV SPD
30WiK		L5=Lumileds5050	PH=PhotoCell	4070=4000K 70CRI	T3=Type III	BK=Black	20KV SPD
40WiK			DV=Dimmable	5070=5000K 70CRI	T4=Type IV		
50WiK				5770=5700K 70CRI			
60WiK				3080=3000K 80CRI			
75WiK				4080=4000K 80CRI			
90WiK				5080=5000K 80CRI			
120WiK				5780=5700K 80CRI			
150WiK							

Photometry



Illuminance Diagram



IK Series Specification Sheet

*Due to the constant improvements in product development, individual parameters might change. Please refer to our sales or R&D team for most up-to-date content as specifications are subject to change without notice.

wally@ookledlight.com
 +1 626-986-4050 (US)
 +86 755 2357 9148 (CN)



©2022 AOK LED LIGHT CO., LTD. All Right Reserved.

Construction Features



1. Reserved space for photocell
2. Buckle design
3. Class I /Class II Dimmable driver
4. Isolated removable plate for driver
5. Auto Power Cut off Protector
6. Supporting Rod
7. Adjustable Mounting

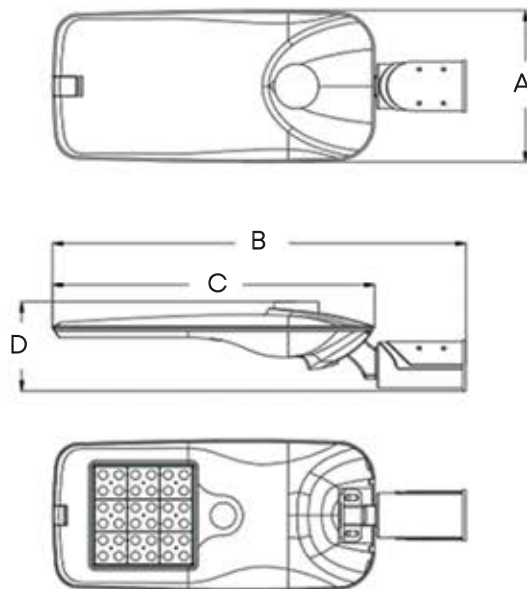
ELECTRICAL

- 0-10V/ PMW/ Timer dimming, 3 Timer Modes, Dim-to-Off with Standby Power $\leq 0.5W$.
- Constant current Class II driver, 100-277Vac, 50-60Hz, Class I optional.
- High efficiency driver: up to 93.5%, minimum efficiency 87.5%.
- Input Surge Protection: 6kV line-line, 10kV line-earth, photocell, 20KV SPD available.
- Operating temperature rating: $-40^{\circ}F$ to $122^{\circ}F$ ($-40^{\circ}C$ to $50^{\circ}C$).

CONSTRUCTION

- Heavy-duty die-cast aluminum housing and door. IK09 and Anti-corrosion.
- Tool-less entry hinged removable door for easy maintenance.
- Auto-electrical disconnection: Built-in circuit breaker, tool free electrical gear tray.
- UV stabilized polyester powder paint finish for durability and corrosion resistance.
- Multiple Mounting options: post top and side entry installation available.
- Mounting has leveling adjustment from -15° to $+15^{\circ}$ (side entry), 90° (top post).
- 3G vibration rated.

Fixture Dimensions



A	B	C	D
Dimensions of 20WiK-75WiK			
238mmr	650mmr	505mmr	140mmr
Dimensions of 90WiK, 120WiK and 150WiK			
290mmr	765mmr	620mmr	145mmr

Accessories

Mounting Options



Post Top



Side Entry

Control Options



Photocell



Shorting cap



3 pin/7 pin receptacle



Visor Optional (Trihedral & Tetrahedral)



*As the products are upgraded, the accessories may differ from those described in the pictures. Please consult with our sales team for updated details and order separately.

IK Series Specification Sheet

*Due to the constant improvements in product development, individual parameters might change. Please refer to our sales or R&D team for most up-to-date content as specifications are subject to change without notice.

wally@ookledlight.com
+1 626-986-4050 (US)
+86 755 2357 9148 (CN)

©2022 AOK LED LIGHT CO., LTD. All Right Reserved.





Quality, Honesty, Service and Innovation

Illuminate Your Future



● WARRANTY

5 Year Limited Warranty,
10 Year Preferred Warranty.
Please consult with our sales for detailed agreement.

wally@aokledlight.com

www.aokledlight.com

+1 626-986-4050 (US)

+86 755 2357 9148 (CN)

Manufacturing: Building 1 & 4, St. George's Science and Technology Industrial Park, Shajing Street, Shenzhen, China, 518124.

Fuzhou HQ: Room 301, Yujing Business Center Zone 1, No. 12 Baihuazhou road, Cangshan district, Fuzhou, China, 350007

NorthAmerica HQ: 18541 E Gale Ave, City of Industry, CA91748 USA

Copyright ©2022 AOK LED LIGHT CO., LTD. All Right Reserved.