



||LO2 LED STREET LIGHT
SUITABLE FOR EUROPEAN STREETS




100+ Patent Certificates
\$1,000,000+ Annual Energy Saving
10,000+ Projects Successfully Installed

OVER YEARS 
10 EXPERIENCE
www.aokledlight.com

> Features of IL02 Series

IL02 series is design for street lighting, especially for the European market. Precision engineered individual lenses made of optical grade polycarbonate for maximum light intensity, micro-lens systems produce IESNA Type II, Type III, Type IV distributions. Luminaries produces 0% total lumens above 90 ° (BUG Rating, U=0), Delivers improved visual comfort by lower glare and providing a wider smoother and more uniform light output.

- 10KV~20KV surge protection
- Powdering/PC + tempered glass
- Buckle design, easy maintenance
- Fin shape radiator, better heat dissipation
- Optical systems maintain an IP66 rating

UP TO 160 lm/W	L90B10 >52000hrs @ 25°C	100-277V 50/60HZ	THD <20%	Class I AND Class II
• 2700K • 3000K • 4000K • 5000K • 5700K • 6500K	CRI 70/80/90	ULR =0	 DIM	SAFETY PROTECTION AUTO TURN-OFF
Working Temperature Environment -40°C~50°C (-40°F~+122°F)	IP66 IK08	3G VIBRATION TESTING		



**Illuminate
Your
Future**

5 **10** **WARRANTY**
5 Year Limited Warranty,
10 Year Preferred Warranty.
Please consult with our sales for detailed agreement.

wally@aokledlight.com
+1 626-986-4050 (US)
+86 755 2357 9148 (CN)
©2022 AOK LED LIGHT CO., LTD. All Right Reserved.



> Photometric Design

- Optimized, premium optical grade Mitsubishi polycarbonate lens, the efficient design of the modules make each light engine highly customizable, allowing the light distribution to be aimed toward the application.
- Optical systems allow for versatility, tight cutoffs, and flexible control for a wide variety of applications.
- We deliver innovation and customization, further expanding the flexibility of the project. Exceptional uniformity and low glare for maximum comfort and neighbor-friendly.



- The photometric engine takes advantage of the latest generation of mid-power LEDs and dedicated optics for professional applications.
- Combined with Lumileds 3030/Seoul 3030 it provides an alternative solution for those who are looking for very cost-effective yet efficient lighting while keeping the same luminaire design.

Distribution

TYPE II (T201)



TYPE II (T211)



TYPE II (T221)



TYPE III (T301)



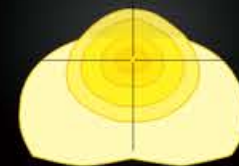
TYPE III (T311)



TYPE III (T321)



TYPE IV (T411)

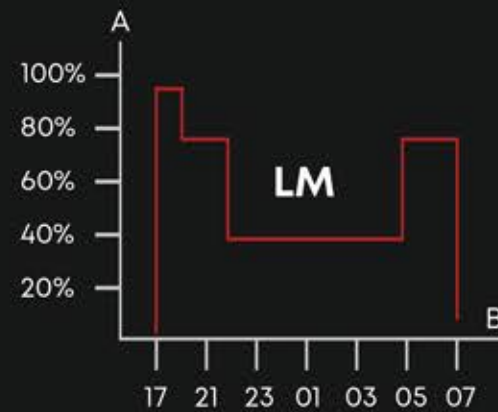


> Control Systems

Custom Dimming Profile

Intelligent luminaire drivers can be programmed with complex dimming profiles. With customized combinations of time intervals and light levels are possible. This feature does not require any extra wiring.

The period between switching on and switching off is used to activate the preset dimming profile. The customised dimming system generates maximum energy savings while respecting the required lighting levels and uniformity throughout the night.



Daylight Sensor / Photocell

Photocell or daylight sensors switch the luminaire on as soon natural light falls to a certain level. It can be programmed to switch on during a storm, on a cloudy day (in critical areas) or only at nightfall so as to provide safety and comfort in public spaces.



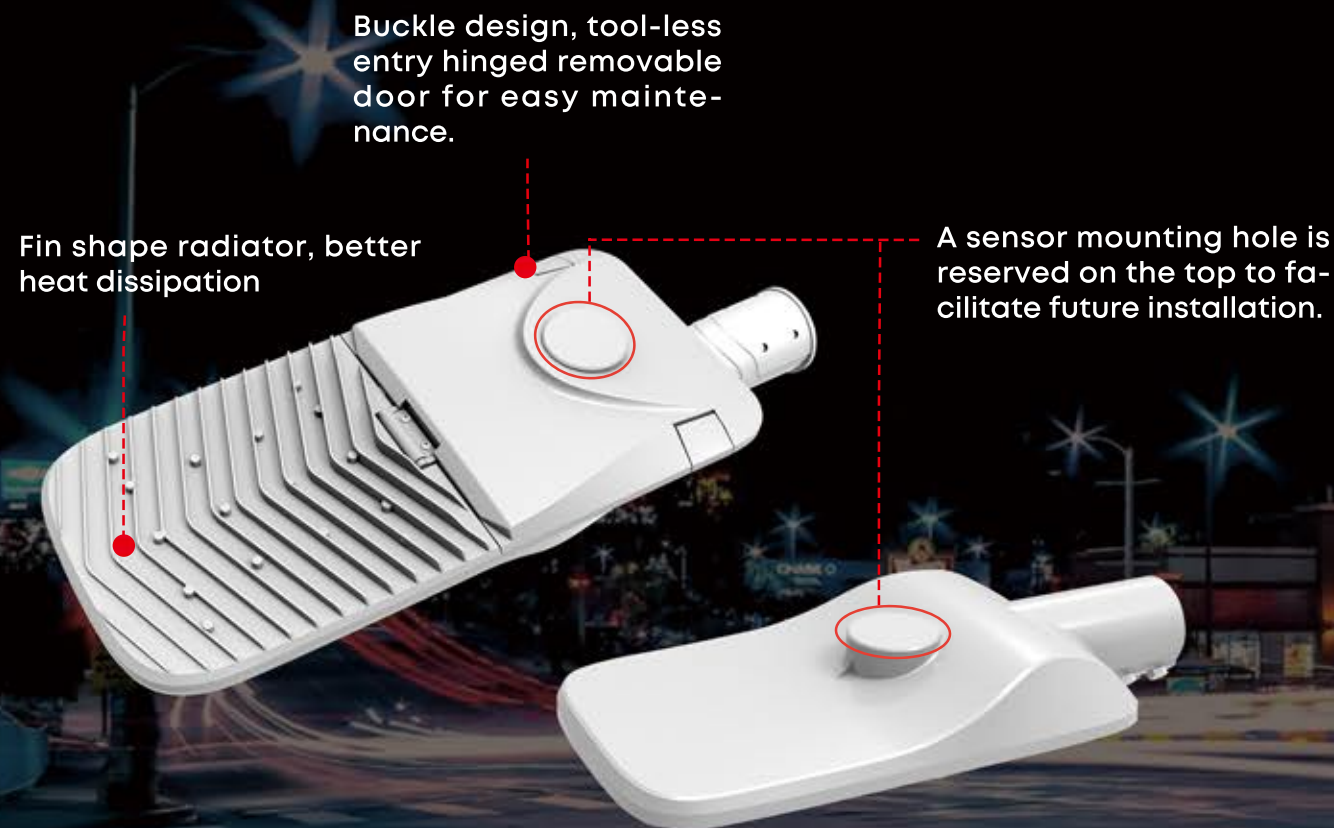
Smart standards. Smarter lighting.

LoRaWAN® Luminaire Controller Zhaga (Optional)

It is an easily installable wireless device for remote control of the LED luminaires. Device is equipped with Zhaga compliant connector and controls the luminaire through DALI or DALI-2 interface. Controller is available now for LoRaWAN®, NB-IoT and LTE-M network. Modern and small design makes it excellent fit to various street lighting modules.

LoRaWAN® Luminaire Controller NEMA (Optional)

LoRaWAN® Luminaire Controller NEMA is a remote control device for LED luminaires equipped with ANSI C136.41 NEMA receptacle. The luminaire is controlled through DALI or 0..10V analog control interfaces, while providing a reliable power interconnect with three robust twist lock contacts.



> Application Reference

- Road lighting
- Area lighting
- Perimeter lighting



> Comparison of Project Remodeling



Parameter Table

Electrical Data

Model	AOK-20WIL02s	AOK-30WIL02s	AOK-40WIL02s	AOK-50WIL02s	AOK-60WIL02s	AOK-70WIL02s	AOK-80WIL02s	AOK-90WIL02s	AOK-100WIL02s	AOK-80WIL02	AOK-90WIL02
Power ranges	20W-100W									80W-150W	
Input voltage	100-277VAC										
THD	<20%										
PF	>0.95										
Driver	Inventronics / Sosen / Philips. Class 1/ Class 2, EU										
Operating temperature	-40°C to 50°C (-40 °F to 122 °F)										
Control Option	DALI, 1-10V/ PWM / timer dimming, Nema, Zhaga, Presence detection sensor. Dim-to-Off with standby power <= 0.5W.										
Surge Protection	10kV / 20kV optional										

Photometric Data

Efficacy(lm/W) (CRI 70Ra, 5000K) (Std Dev ±3%)	T201	156lm/W	155lm/W	150lm/W	148lm/W	146lm/W	144lm/W	142lm/W	140lm/W	136lm/W	144lm/W	143lm/W
	T211	155lm/W	154lm/W	147lm/W	145lm/W	143lm/W	141lm/W	139lm/W	137lm/W	133lm/W	143lm/W	142lm/W
T221	158lm/W	156lm/W	154lm/W	152lm/W	150lm/W	148lm/W	146lm/W	144lm/W	140lm/W	154lm/W	152lm/W	152lm/W
T301	152lm/W	153lm/W	145lm/W	143lm/W	141lm/W	139lm/W	137lm/W	135lm/W	131lm/W	141lm/W	140lm/W	140lm/W
T311	155lm/W	154lm/W	147lm/W	145lm/W	143lm/W	141lm/W	139lm/W	137lm/W	133lm/W	143lm/W	142lm/W	142lm/W
T321	158lm/W	156lm/W	154lm/W	152lm/W	150lm/W	148lm/W	146lm/W	144lm/W	140lm/W	154lm/W	152lm/W	152lm/W
T411	155lm/W	154lm/W	147lm/W	145lm/W	143lm/W	141lm/W	139lm/W	137lm/W	133lm/W	143lm/W	142lm/W	142lm/W
Luminous flux (lm) (CRI 70Ra, 5000K) (Std Dev ±3%)	T201	3120lm	4650lm	6000lm	7400lm	8760lm	10080lm	11360lm	12600lm	13600lm	11520lm	12870lm
	T211	3100lm	4620lm	5880lm	7250lm	8580lm	9870lm	11120lm	12330lm	13300lm	11440lm	12780lm
T221	3160lm	4680lm	6160lm	7600lm	9000lm	10360lm	11680lm	12960lm	14000lm	12320lm	13680lm	13680lm
T301	3040lm	4590lm	5800lm	7150lm	8460lm	9730lm	10960lm	12150lm	13100lm	11280lm	12600lm	12600lm
T311	3100lm	4620lm	5880lm	7250lm	8580lm	9870lm	11120lm	12330lm	13300lm	11440lm	12780lm	12780lm
T321	3160lm	4680lm	6160lm	7600lm	9000lm	10360lm	11680lm	12960lm	14000lm	12320lm	13680lm	13680lm
T411	3100lm	4620lm	5880lm	7250lm	8580lm	9870lm	11120lm	12330lm	13300lm	11440lm	12780lm	12780lm

ULR	= 0%, @ Luminaire inclination 0°
CCT	2700K, 3000K, 4000K, 5000K, 5700K, 6500K
CRI	70Ra, 80Ra, 90Ra optional
Beam angle	30D/60D/90D/120D/T2/T3/T4
LED Manufacturer	LUMILEDS/Seoul
LED model	Lumileds 3030/Seoul3030
Lens	Polycarbonate+tempered glass(5 mm thick)

Mechanical Data

IP/IK	IP66/IK08, according to standard EN 60529 and EN 62262	
Vibration resistance	3G, conform to standard IEC 68-2-6.	
SCx	Front: 0.014 m ² ; Side: 0.0214 m ²	Front: 0.0219 m ² ; Side: 0.035 m ²

Materials	Heavy-duty die-cast aluminum (EN AC-46100)	
Painting	Black, Silver, Custom request	
Surface treatment	Anti-UV thermosetting polyester / 80 micron epoxy primer + Anti-UV thermosetting polyester (for extremely corrosive environments).	
Cable	Pre-wired with a 30 cm cable (Other lengths on request)	
Mounting	Side Entry/Post Top	

Others

Lifespan	L90B10 > 52000h, @Ta 25°C	
Warranty	5 years (Warranty extension up to 10 years on request)	
Product Size	470*230*79mm	646*240*137mm
Carton size	520*270*135mm	715*290*200mm
Net Weight	3.1kg	5.4kg
Gross weight	4.0kg	6.1kg
Recommend installation height	General 4-12m, based on actual project requirements	
Application field	Urban and rural street	

Electrical Data

Model	AOK-100WIL02	AOK-120WIL02	AOK-130WIL02	AOK-140WIL02	AOK-150WIL02	AOK-160WIL02	AOK-170WIL02	AOK-180WIL02	AOK-200WIL02	AOK-220WIL02	AOK-230WIL02
Power ranges	80W-150W						160W-200W			220W-230W	
Input voltage	100-277VAC										
THD	<20%										
PF	>0.95										
Driver	Inventronics / Sosen / Philips. Class 1/ Class 2, EU										
Operating temperature	-40°C to 50°C (-40 °F to 122 °F)										
Control Option	DALI, 1-10V/ PWM / timer dimming, Nema, Zhaga, Presence detection sensor. Dim-to-Off with standby power <= 0.5W.										
Surge Protection	10kV / 20kV optional										

Photometric Data

Efficacy(LM/W) (CRI 70Ra, 5000K) (Std Dev ±3%)	T201	141lm/W	137lm/W	135lm/W	130lm/W	128lm/W	145lm/W	143lm/W	141lm/W	137lm/W	141lm/W	139lm/W
	T211	140lm/W	136lm/W	134lm/W	129lm/W	127lm/W	144lm/W	142lm/W	140lm/W	136lm/W	140lm/W	138lm/W
T221	150lm/W	145lm/W	143lm/W	141lm/W	139lm/W	152lm/W	150lm/W	148lm/W	145lm/W	148lm/W	146lm/W	146lm/W
T301	138lm/W	134lm/W	132lm/W	127lm/W	125lm/W	141lm/W	139lm/W	137lm/W	133lm/W	137lm/W	135lm/W	135lm/W
T311	140lm/W	136lm/W	134lm/W	129lm/W	127lm/W	144lm/W	142lm/W	140lm/W	136lm/W	140lm/W	138lm/W	138lm/W
T321	150lm/W	145lm/W	143lm/W	141lm/W	139lm/W	152lm/W	150lm/W	148lm/W	145lm/W	148lm/W	146lm/W	146lm/W
T411	140lm/W	136lm/W	134lm/W	129lm/W	127lm/W	144lm/W	142lm/W	140lm/W	136lm/W	140lm/W	138lm/W	138lm/W
Luminous flux (lm) (CRI 70Ra, 5000K) (Std Dev ±3%)	T201	14100lm	16440lm	17550lm	18200lm	19200lm	23200lm	24310lm	25380lm	27400lm	31020lm	31970lm
	T211	14000lm	16320lm	17420lm	18060lm	19050lm	23040lm	24140lm	25200lm	27200lm	30800lm	31740lm
T221	15000lm	17400lm	18590lm	19740lm	20850lm	24320lm	25500lm	26640lm	29000lm	32560lm	33580lm	33580lm
T301	13800lm	16080lm	17160lm	17780lm	18750lm	22560lm	23630lm	24660lm	26600lm	30140lm	31050lm	31050lm
T311	14000lm	16320lm	17420lm	18060lm	19050lm	23040lm	24140lm	25200lm	27200lm	30800lm	31740lm	31740lm
T321	15000lm	17400lm	18590lm	19740lm	20850lm	24320lm	25500lm	26640lm	29000lm	32560lm	33580lm	33580lm
T411	14000lm	16320lm	17420lm	18060lm	19050lm	23040lm	24140lm	25200lm	27200lm	30800lm	31740lm	31740lm

ULR	= 0%, @ Luminaire inclination 0°
CCT	2700K, 3000K, 4000K, 5000K, 5700K, 6500K
CRI	70Ra, 80Ra, 90Ra optional
Beam angle	30D/60D/90D/120D/T2/T3/T4
LED Manufacturer	LUMILEDS/Seoul
LED model	Lumileds 3030/Seoul3030
Lens	Polycarbonate+tempered glass(5 mm thick)

Mechanical Data

IP/IK	IP66/IK08, according to standard EN 60529 and EN 62262		
Vibration resistance	3G, conform to standard IEC 68-2-6.		
SCx	Front: 0.0219 m ² ; Side: 0.035 m ²	Front: 0.0263 m ² ; Side: 0.0363 m ²	Front: 0.0285 m ² ; Side: 0.0412 m ²

Materials	Heavy-duty die-cast aluminum (EN AC-46100)		
Painting	Black, Silver, Custom request		
Surface treatment	Anti-UV thermosetting polyester / 80 micron epoxy primer + Anti-UV thermosetting polyester (for extremely corrosive environments).		
Cable	Pre-wired with a 30 cm cable (Other lengths on request)		
Mounting	Side Entry/Post Top		

Others

Lifespan	L90B10 > 52000h, @Ta 25°C		
Warranty	5 years (Warranty extension up to 10 years on request)		
Product Size	646*240*137mm	676*290*137mm	756*308*138mm
Carton size	715*290*200mm	745*340*200mm	825*360*200mm
Net Weight	5.4kg	6.0kg	6.8kg
Gross weight	6.1kg	7.2kg	8.3kg
Recommend installation height	General 4-12m, based on actual project requirements		
Application field	Urban and rural street		

IL02 Series Specification Sheet

*Due to the constant improvements in product development, individual parameters might change. Please refer to our sales or R&D team for most up-to-date content as specifications are subject to change without notice.

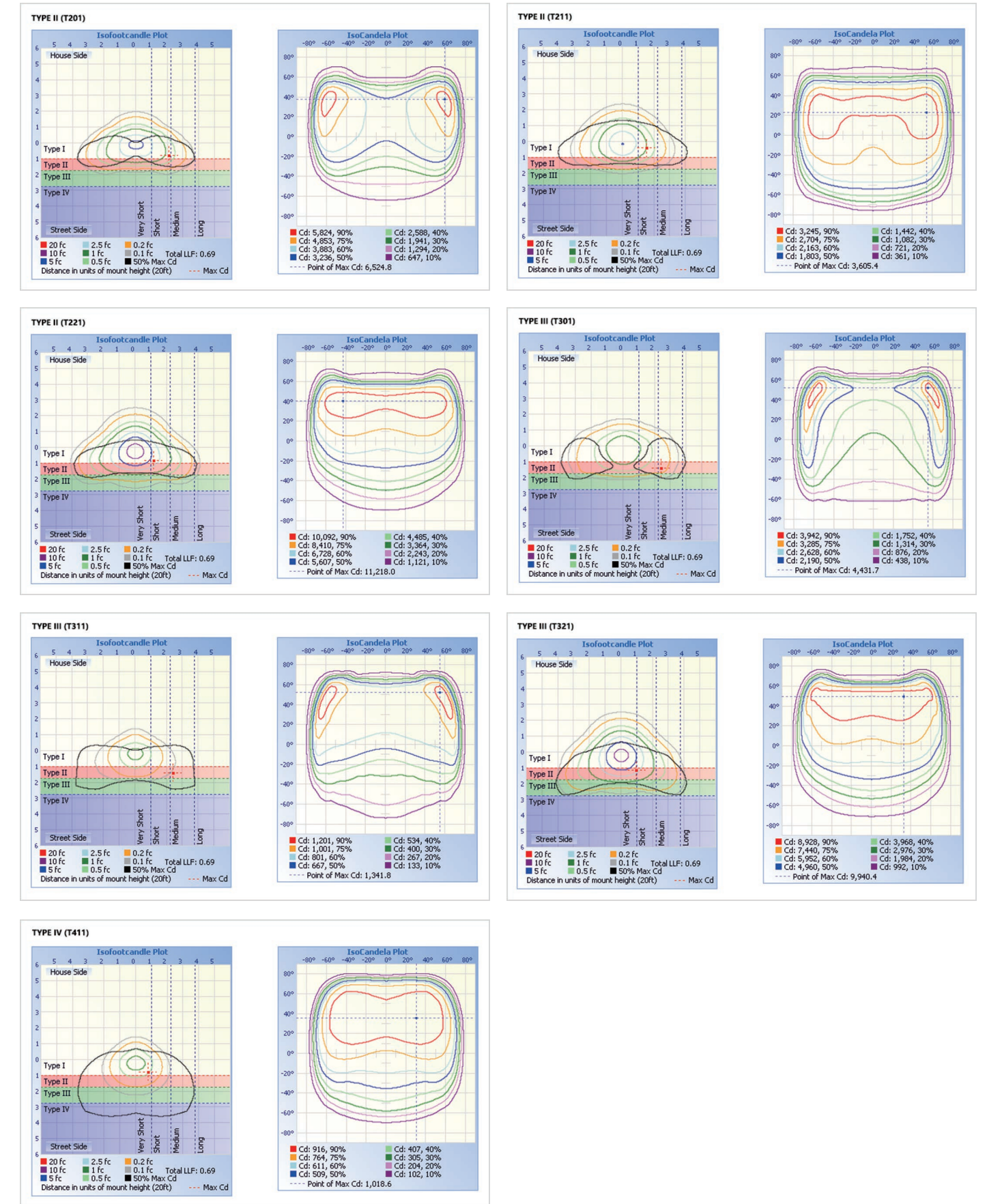
wally@ookledlight.com
+1 626-986-4050 (US)
+86 755 2357 9148 (CN)
©2022 AOK LED LIGHT CO., LTD. All Right Reserved.



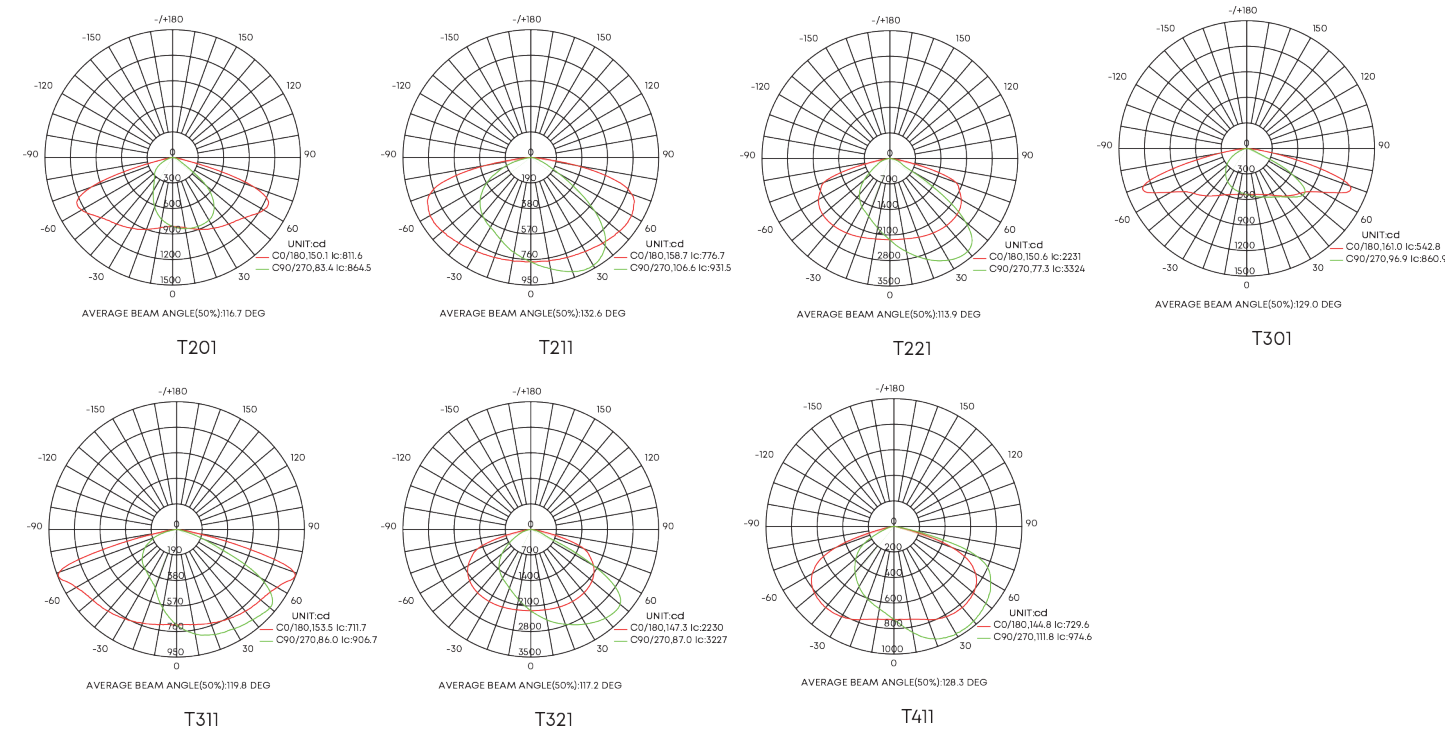
Ordering Information

AOK							
WATTS	VOLTAGE	LED CHIPS	TYPE OF SENSOR	CCT&CRI	DISTRIBUTION	HOUSING	OPTION
20WiL02s	NV=100-277V	L3=LUMILED 3030	00=Without Sensor	2770=2700K 70CRI	T2=Type II	SG=Silver Gray	10KV SPD
30WiL02s		S3=Seoul 3030	PH=PhotoCell	3070=3000K 70CRI	T3=Type III	Custom request	20KV SPD
40WiL02s			DV=Dimmable	4070=4000K 70CRI	T4=Type IV		
50WiL02s				5070=5000K 70CRI			
60WiL02s				5770=5700K 70CRI			
70WiL02s				6570=6500K 70CRI			
80WiL02s				2780=2700K 80CRI			
90WiL02s				3080=3000K 80CRI			
100WiL02s				4080=4000K 80CRI			
80WiL02				5080=5000K 80CRI			
90WiL02				5780=5700K 80CRI			
100WiL02				6580=6500K 80CRI			
120WiL02							
130WiL02							
140WiL02							
150WiL02							
160WiL02							
170WiL02							
180WiL02							
200WiL02							
220WiL02							
230WiL02							

Illuminance Diagram



Photometry



IL02 Series Specification Sheet

*Due to the constant improvements in product development, individual parameters might change. Please refer to our sales or R&D team for most up-to-date content as specifications are subject to change without notice.

wally@akledlight.com

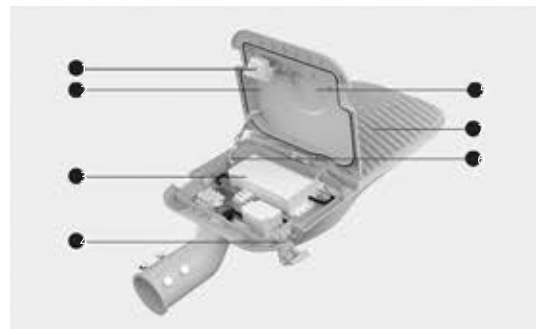
+1 626-986-4050 (US)

+86 755 2357 9148 (CN)

©2022 AOK LED LIGHT CO., LTD. All Right Reserved.



Construction Features



1. Auto power cutoff protector, tool free electrical gear tray;
2. Heavy-duty die-cast aluminum housing, UV stabilized polyester powder paint;
3. Class I /Class II Dimmable driver;
4. Buckle design. Tool-less entry for easy maintenance;
5. Reserve a position for installing the sensor;
6. Supporting rod;
7. Fin shape radiator design, better heat dissipation to protect lifespan of fixture.

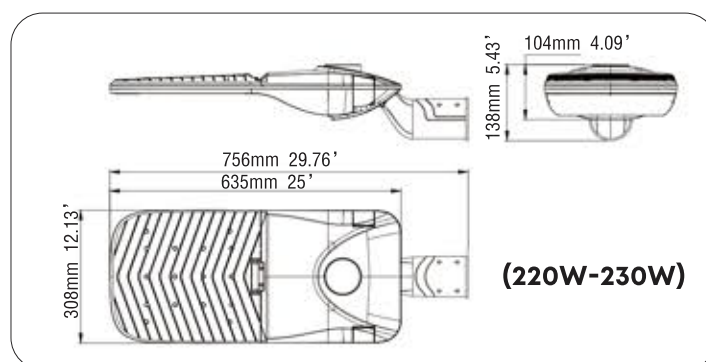
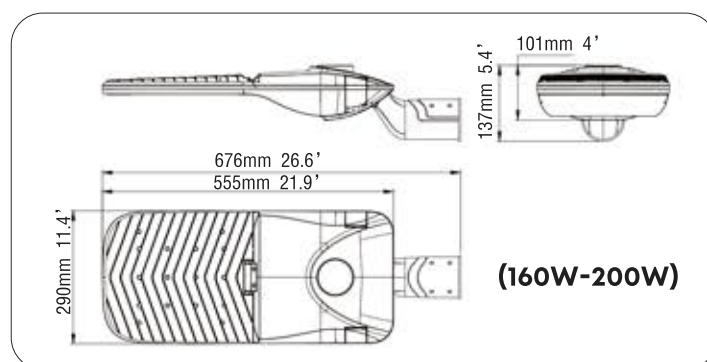
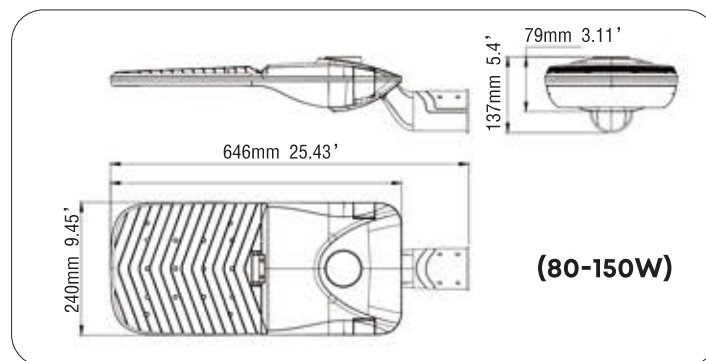
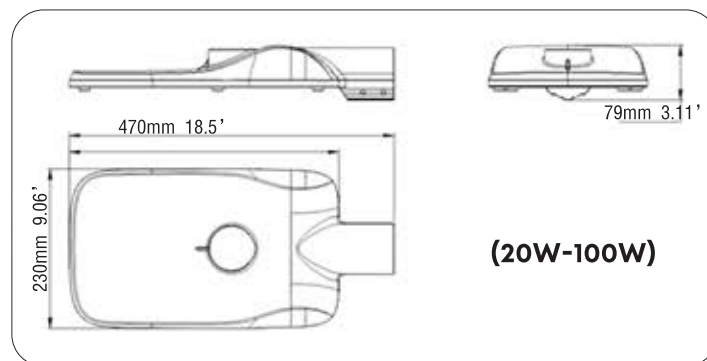
ELECTRICAL

- 1-10V/ PWM/ Timer dimming, 3 Timer Modes, Power Factor (PF) ≥ 0.95 .
- Constant current Class II driver, 100-277Vac, 50-60Hz, Class I optional.
- High efficiency driver: up to 90%, minimum efficiency 85%.
- Input Surge Protection: 6kV line-line, 10kV line-earth, 20KV SPD available.
- Operating temperature rating: -40°F to 122°F (-40°C to 50°C).
- Photocell, Zhaga Base, Zigbee or Lora Lighting Controller available.
- Surge Protective Device 10KV~20KV.

CONSTRUCTION

- Tool-less entry hinged removable door for easy maintenance.
- Auto-electrical disconnection: Built-in circuit breaker, tool free electrical gear tray.
- UV stabilized polyester powder paint finish for durability and corrosion resistance.
- Multiple Mounting options: Post top and side entry installation available.
- Mounting has leveling adjustment from -10° to $+15^{\circ}$.
- 3G vibration rated.

Fixture Dimensions



Accessories

Mounting Options



Post Top



Side Entry

Control Options



Photocell



Shorting cap



3 pin/7 pin receptacle



*As the products are upgraded, the accessories may differ from those described in the pictures. Please consult with our sales team for updated details and order separately.



Quality, Honesty, Service and Innovation

Illuminate Your Future



● WARRANTY

5 Year Limited Warranty,
10 Year Preferred Warranty.
Please consult with our sales for detailed agreement.

wally@aokledlight.com

www.aokledlight.com

+1 626-986-4050 (US)

+86 755 2357 9148 (CN)

Manufacturing: Building 1 & 4, St. George's Science and Technology Industrial Park, Shajing Street, Shenzhen, China, 518124.

Fuzhou HQ: Room 301, Yujing Business Center Zone 1, No. 12 Baihuazhou road, Cangshan district, Fuzhou, China, 350007

NorthAmerica HQ: 18541 E Gale Ave, City of Industry, CA91748 USA

Copyright ©2022 AOK LED LIGHT CO., LTD. All Right Reserved.