



IP/IPS LED URBAN AMENITY LIGHT
25W-150W

100+ Patent Certificates
\$1,000,000+ Annual Energy Saving
10,000+ Projects Successfully Installed



OVER YEARS 
10 EXPERIENCE
www.aokledlight.com



> Features of IP(S)Series

IP(S) series is designed to provide ambient and residential lighting. Its elegant and harmonious design makes it not only a lantern, but also a work of art.

- Robust die-cast aluminum housing.
- UV stabilized polyester powder paint finish for durability and corrosion resistance.
- Multiple mounting options: Post top I&II, slide entry and cable suspending installation available.
- With Tempered Glass Cover to protect the optics.
- Uniform luminous flux and low glare.
- IP66 IK09.
- Compatible with DALI, Zhaga / Nema standards, Presence detection sensor.
- 1-10V/ PMW/ timer dimming, 3 timer modes, Dim-to-Off with standby power $\leq 0.5W$.
- 3G vibration rating

UP TO 135 lm/W	Class I AND Class II	Working Temperature Environment -40°C~50°C (-40°F~+122°F)	100-277V 50/60HZ
ULR =0	THD MIN. <8%	CRI 70/80/90	• 2700K • 3000K • 4000K • 5000K • 5700K • 6500K
IP66 IK09	3G VIBRATION TESTING	DIM	



5 ***** **10** ***** **WARRANTY**
5 Year Limited Warranty,
10 Year Preferred Warranty.
Please consult with our sales for detailed agreement.

wally@aokledlight.com
+1 626-986-4050 (US)
+86 755 2357 9148 (CN)
©2022 AOK LED LIGHT CO., LTD. All Right Reserved.



> Fabulous Design



- Die-cast aluminum housing design.
- No visible hardware enhancing the aesthetic.
- Sleek, low profile design with an attractive round form.
- Dynamic thermal management protects electrical components when temperature limitations are exceeded.

Flexible Installation Options



Post Top I



Side Entry

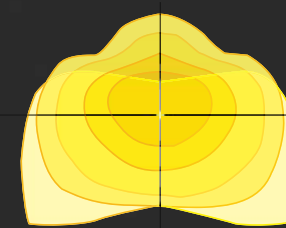


Cable Suspended

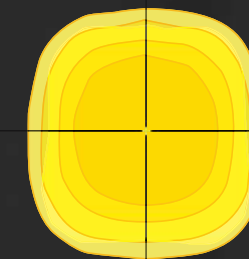


Post Top II

Photometry Design



TYPE IV (T401)



TYPE V (T501)

Pedestrian cityscape requires an architectural luminaire to enhance the site by day and to provide visual comfort and security by night.

IP series offers precise optical control up to 135 lumens per watt with distinct optimally designed distributions.

> Application Reference



Parameter Table (IP Series)

Electrical Data					
Details	AOK-25WiP	AOK-50WiP	AOK-75WiP	AOK-120WiP	AOK-150WiP
Model	25W	50W	75W	120W	150W
Input voltage	100-277VAC, 50/60Hz				
THD	<8% (Classic); <10% (220VAC@full load); <20% (100-277VAC@full load)				
PF	> 0.98				
Driver	Sosen / Meanwell / Inventronics / Philips. Class 1/Class 2, EU				
Ambient temperature	-40°C to 50°C				
Control option	DALI, 1-10V/ PWM/ timer dimming, Nema, Zhaga, Presence detection sensor. Dim-to-Off with standby power <= 0.5W.				
Surge protection	10kV / 20kV optional				
Photometric Data					
Efficacy (lm/W, Std. Dev. ±3%)@CCT=4000K, CRI>70Ra	130lm/W	125lm/W	120lm/W	115lm/W	110lm/W
Luminous flux (lm, Std. Dev. ±3%)@CCT=4000K, CRI>70Ra	3250lm	6250lm	9000lm	13800lm	16500lm
ULOR	= 0%, @ Luminaire inclination 0°				
CCT	2700K, 3000K, 4000K, 5000K, 5700K, 6500K				
CRI	70Ra, 80Ra, 90Ra optional				
Beam angle	Type 4 (83° x 142°) / Type 5 (143° x 146°)				
LED Manufacturer	LUMILEDS/ Seoul / Others				
LED model	3030	3030	3030	3030	3030
Working current of single LED	30mA	60mA	80mA	100mA	100mA
Lens	Polycarbonate (Better impact resistance than glass)				
Mechanical Data					
IP/IK	IP66 / IK09, according to standard EN 60529 and EN 62262				
Vibration resistance	3G, conform to standard IEC 68-2-6.				
SCx	0.026m²				
Materials	High strength die-cast aluminum housing (EN AC-46100)				
Protection	Polycarbonate, with tempered glass cover (5 mm thick)				
Painting	RAL 9006 Silver gray / RAL 9005 Black / Other colors on request				
Surface treatment	Anti-UV thermosetting polyester / 80~120 micron epoxy primer + Anti-UV thermosetting polyester (for extremely corrosive environments).				
Cable	Pre-wired with a 30 cm cable (Other lengths on request)				
Mounting	Cable suspended, Side entry, Post Top I, Post Top II				
Dimension (without bracket)	Ø 460mm*80mm				
Others					
LED Lifespan	L90 >100 000h, The luminous flux of the LED is reduced by 10% (L90) of its initial value at 100000 hours				
Warranty	5 years (Extension up to 10 years on request)				
Certification	IECEE CB, CE, RoHS, ENEC (The company is ISO 9001 and ISO 14001 certified.)				
Net Weight	7.2 kg	7.2 kg	7.2 kg	7.7 kg	7.7 kg
Gross weight	9.3 kg	9.3 kg	9.3 kg	9.8 kg	9.8 kg
Carton size (Post Top I)	590*590*135mm	590*590*135mm	590*590*135mm	590*590*135mm	590*590*135mm
Carton size (Post Top II)	590*590*145mm	590*590*145mm	590*590*145mm	590*590*145mm	590*590*145mm
Recommended installation height	3~6 m	3~6 m	3~6 m	4~9 m	4~9 m
Application field	Urban street, Garden, Public square, Golf course, Tramway path				

Parameter Table (IPS Series)

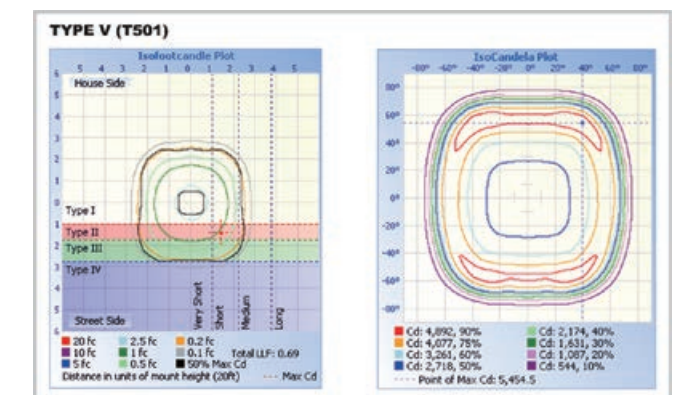
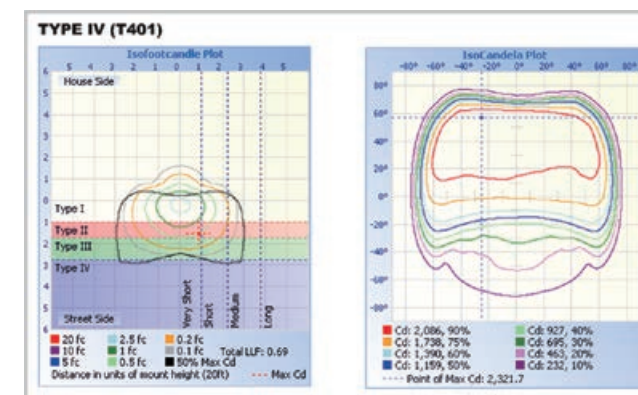
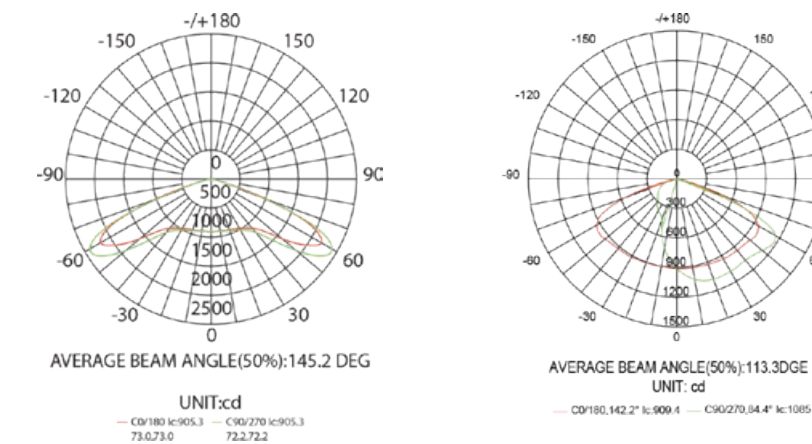
Power:	25WiPS, 50WiPS, 60WiPS	Scx:	0.022m²
Input Voltage:	100-277V, 50/60Hz;	IP/IK Rating:	IP66/IK08, (EN 60529 and EN 62262)
THD:	<9%	Lifespan:	L90B10 > 52000h, @Ta 25°C
Power Factor:	>0.98	Housing Material:	Die-cast aluminum (EN AC-46100)
Operating Temp:	-40°C to 50°C (-40 °F to 122 °F)	Finish:	UV stabilized polyester powdering
Lens:	Same as IP series	Painting:	Same as IP series
Efficacy:	132lm/W, 130lm/W, 130lm/W	Working current of single LED:	140mA
Lumen Flux:	3300lm, 6500lm, 7800lm	Dimension:	Ø410mm*71mm
CCT & CRI:	Same as IP series	Carton size(Post top I/II):	600*550*150mm
Beam Angel:	Same as IP series	Net weight:	5.7kg
		Gross weight:	6.6kg

Ordering Information

AOK	WATTS	VOLTAGE	LED CHIPS	TYPE OF SENSOR	CCT&CRI	DISTRIBUTION	MOUNT	HOUSING
25WiP(S)	NV=100-277V	L3=LUMILEDS 3030	00=Without Sensor	2770=2700K 70CRI	T4=TYPE IV	A=Post Top I	SG=Silver Gray	
50WiP(S)		S3=Seoul 3030	SN=Motion sensor	3070=3000K 70CRI	T5=TYPE V	B=Side Entry	BK=Black	
60WiPS			DV=Dimmable	4070=4000K 70CRI		C=Cable Suspended	Custom on request	
75WiP			PH=Photocell	5070=5000K 70CRI		D=Post Top II		
120WiP				5770=5700K 70CRI				
150WiP				2780=2700K 80CRI				
				3080=3000K 80CRI				
				4080=4000K 80CRI				
				5080=5000K 80CRI				
				5780=5700K 80CRI				

* IP power range: 25W-150W; IPS power range: 25W-60W

Photometry & Illuminance Diagram



COLOR TEMPERATURE

COLOR TEMPERATURE (CCT)	CRI (NOMINAL)	MULTIPLIER
4000	70	1.00
3000	70	0.91
2700	80	0.89

All published Luminaires photometric testing performed to IESNA LM-79-08 standards by a NVLAP accredited Laboratory.

IP/IPS Series Specification Sheet

*Due to the constant improvements in product development, individual parameters might change. Please refer to our sales or R&D team for most up-to-date content as specifications are subject to change without notice.

wally@ookledlight.com
+1 626-986-4050 (US)
+86 755 2357 9148 (CN)



©2022 AOK LED LIGHT CO., LTD. All Right Reserved.

Accessories

Mounting Options



Post Top I

Side Entry

Cable Suspended

Post Top II

Controller & Receptacle



Zhaga Receptacle

Shorting cap

3 pin/7 pin receptacle

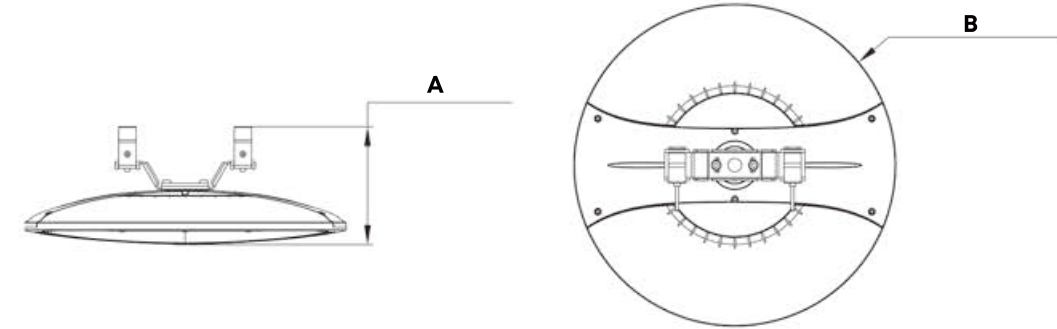
Photocell

Dimensions

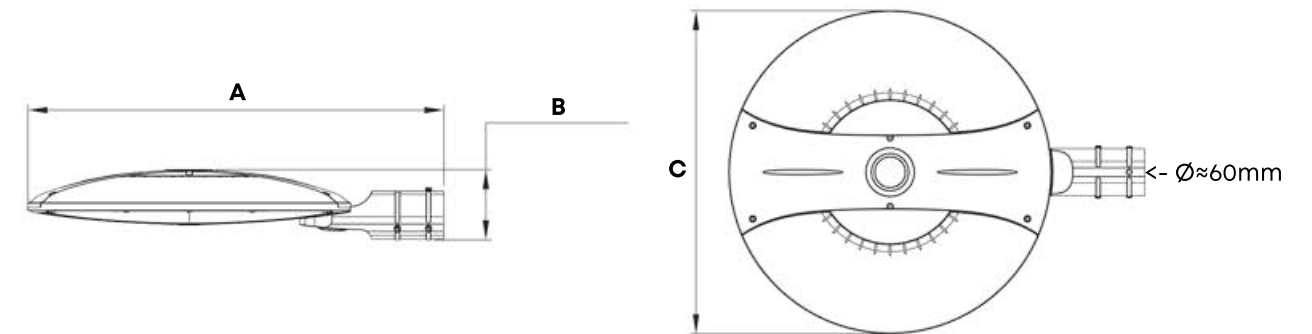
Post Top I	A	B	C	D	E
IP Series 25W-150W	Ø460.0mm	80.0mm	530.0mm	Ø62.0mm	Ø76.0mm
IPS Series 25W-60W	Ø410.0mm	70.0mm	521.0mm	Ø62.0mm	Ø76.0mm



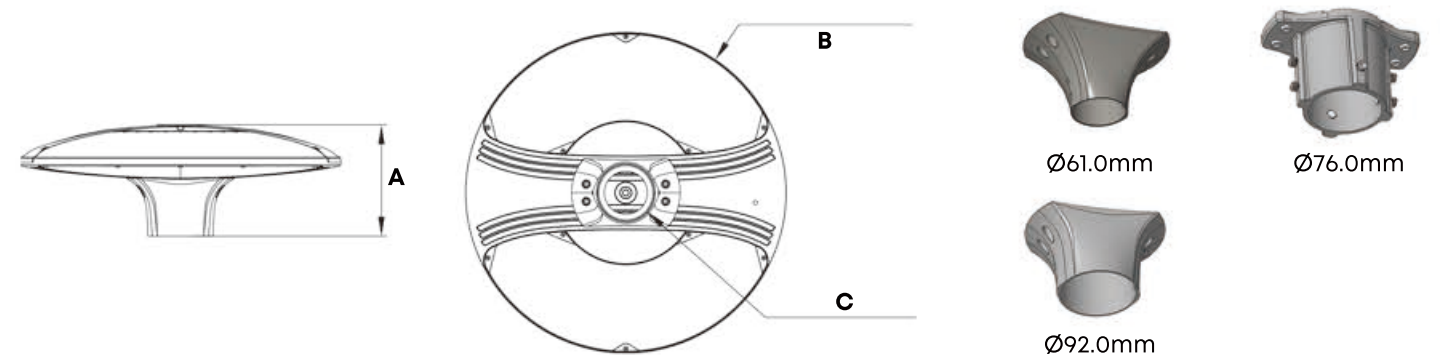
Cable suspended	A	B
IP Series 25W-150W	182.0mm	Ø460.0mm
IPS Series 25W-60W	172.0mm	Ø410.0mm



Side entry	A	B	C
IP Series 25W-150W	612.0mm	106.0mm	Ø460.0mm
IPS Series 25W-60W	560.0mm	97.0mm	Ø410.0mm



Post top II	A	B	C
IP Series 25W-150W	172.0mm	Ø460.0mm	Ø61.0mm/Ø76.0mm/Ø92.0mm
IPS Series 25W-60W	160.0mm	Ø410.0mm	Ø61.0mm/Ø76.0mm/Ø92.0mm



IP/IPS Series Specification Sheet

*Due to the constant improvements in product development, individual parameters might change. Please refer to our sales or R&D team for most up-to-date content as specifications are subject to change without notice.

wally@aokledlight.com
+1 626-986-4050 (US)
+86 755 2357 9148 (CN)

©2022 AOK LED LIGHT CO., LTD. All Right Reserved.





Quality, Honesty, Service and Innovation

Illuminate Your Future



● WARRANTY

5 Year Limited Warranty,
10 Year Preferred Warranty.
Please consult with our sales for detailed agreement.

wally@aokledlight.com

www.aokledlight.com

+1 626-986-4050 (US)

+86 755 2357 9148 (CN)

Manufacturing: Building 1 & 4, St. George's Science and Technology Industrial Park, Shajing Street, Shenzhen, China, 518124.

Fuzhou HQ: Room 301, Yujing Business Center Zone 1, No. 12 Baihuazhou road, Cangshan district, Fuzhou, China, 350007

NorthAmerica HQ: 18541 E Gale Ave, City of Industry, CA91748 USA

Copyright ©2022 AOK LED LIGHT CO., LTD. All Right Reserved.