

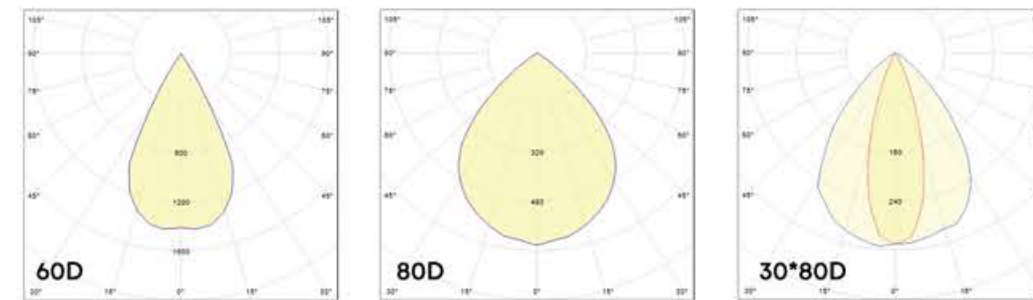
Parameter Table

Electrical Data			
Model	AOK-75WiX	AOK-100WiX	AOK-145WiX
Power(W)	75	100	145
Input voltage	100-277Vac , 50/60Hz		
Control option	Daylight Sensor, Microwave Motion Sensor, Daylight Sensor Control, 0-10V, PWM, Timer, Dimming		
Operating temperature	-40°F~+122°F (-40°C~+50°C)		
Driver	Inventronics-EUM		
Power Factor (PF)	≥0.99		
Driver Efficiency	≥0.89	≥0.91	≥0.915
Maximum Current	AC0.83A (max)	AC1.1 (max)	AC1.65A (max)
Protection class	Safety class I		
Photometric Data			
Efficacy(lm/w)	180 lm/w	180 lm/w	180 lm/w
Luminous flux (tolerance ±10%)	13500 lm	18000 lm	26100 lm
CCT	3000K, 4000K, 5000K, 5700K, 6500K		
CRI	Ra70, Ra80, Ra90		
Beam angle	30°*80°/60°/80°		
LED model	LUMILEDS 2835		
Working current of single LED	23mA	32mA	48mA
Lens and cover	Polycarbonate (Better impact resistance than glass)		
Lifespan	L90B50 30000 h, L80B50 40000 h		
Mechanical Data			
IP	IP66		
IK	IK09		
Housing/Materials	Heavy-duty die-cast aluminum (EN AC-46100)		
Surface treatment	Anti-UV thermosetting polyester / 80 micron epoxy primer + Anti-UV thermosetting polyester (for extremely corrosive environments).		
Painting	Silver gray		
Cable	Pre-wired with a 30 cm cable (Other lengths on request)		
Others			
Mounting	String Mount/ U-bracket Mount		
Warranty	5 years		
Certification	ROHS/CE		
Product size	14.96*13.39*2.83 inches /380*340*72mm		
Net weight	7.28 lbs / 3.3kg		
Carton size	37.40*12.20*3.94 inches / 950*310*100mm		
Gross weight	9.92 lbs / 4.5kg		
Application field	Factory, warehouse, supermarket and other commercial indoor area application		

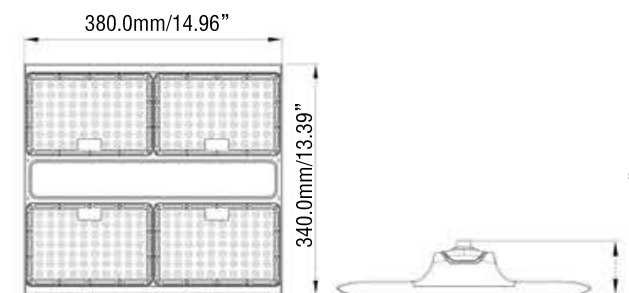
Ordering Information

AOK-							
WATTS	VOLTAGE	LED CHIPS	TYPE OF SENSOR	CCT&CRI	DISTRIBUTION	MOUNT	COLOR
75WiX	NV=100-277V	L2=LUMILEDS 2385	00=NONE	3070=3000K 70CRI	3080=30*80D	S=String mount	SG=Silver gray
100WiX			DV=Dimmable	3080=3000K 80CRI	60=60D	U=U-bracket	
145WiX			SN=Motion Sensor	4070=4000K 70CRI	80=80D		
				4080=4000K 80CRI			
				5070=5000K 70CRI			
				5080=5000K 80CRI			
				5770=5700K 70CRI			
				5780=5700K 80CRI			
				6570=6500K 70CRI			
				6580=6500K 80CRI			

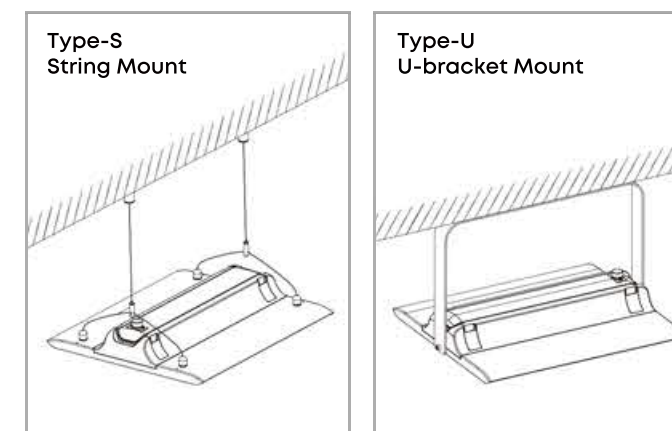
Photometrics



Dimension



Mounting

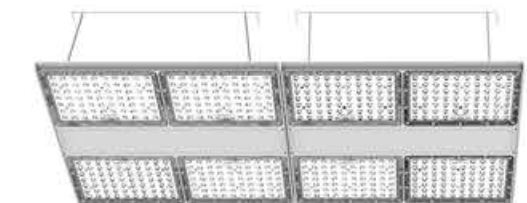


Combinable Mount

> Single mounting (75w-145w)



> double mounting (150w-290w)



> triple mounting (225w-435w)

