



I OFS LED STADIUM LIGHT
LED FLOOD LIGHT

100+ Patent Certificates
\$1,000,000+ Annual Energy Saving
10,000+ Projects Successfully Installed



OVER YEARS 
10 EXPERIENCE
www.aokledlight.com

> Features of OFS Series

OFS series is designed for exterior sports lighting, a superior high output, high efficiency LED flood light, featuring a unique optical design that virtually eliminates glare with minimal impact on performance. It is available in a variety of flood distributions for lighting applications such as large areas, port and rail centers, exterior sports.

- Heavy duty die-cast aluminum housing;
- Driver compartment can be either installed onto or separated from the light fixture;
- Light engine is thermally isolated from driver component;
- UV stabilized polyester powder paint finish;
- Modular optical assemblies enable easy maintenance.
- Horizontal and vertical aiming.

UP TO 165 lm/W	100-277V OR 347-480V 50/60HZ	Working Temperature Environment -40°C~50°C (-40°F~+122°F)	THD <20%
CRI 70/80/90	• 3000K • 4000K • 5000K • 5700K • 6500K	UGR <19	L90B10 >52000hrs @ 25°C
ANTI-GLARE DESIGN	IP66 IK10	DIM	



300W-460W

750W-960W

Better Performance Starts with Better Lighting

5 **10** **WARRANTY**
5 Year Limited Warranty,
10 Year Preferred Warranty.
Please consult with our sales for detailed agreement.

wally@ookledlight.com
+1 626-986-4050 (US)
+86 755 2357 9148 (CN)
©2022 AOK LED LIGHT CO., LTD. All Right Reserved.



> High Mast Lighting

Pole top Luminaries Assembly

Wire Harness

Pole top Luminaries Assembly

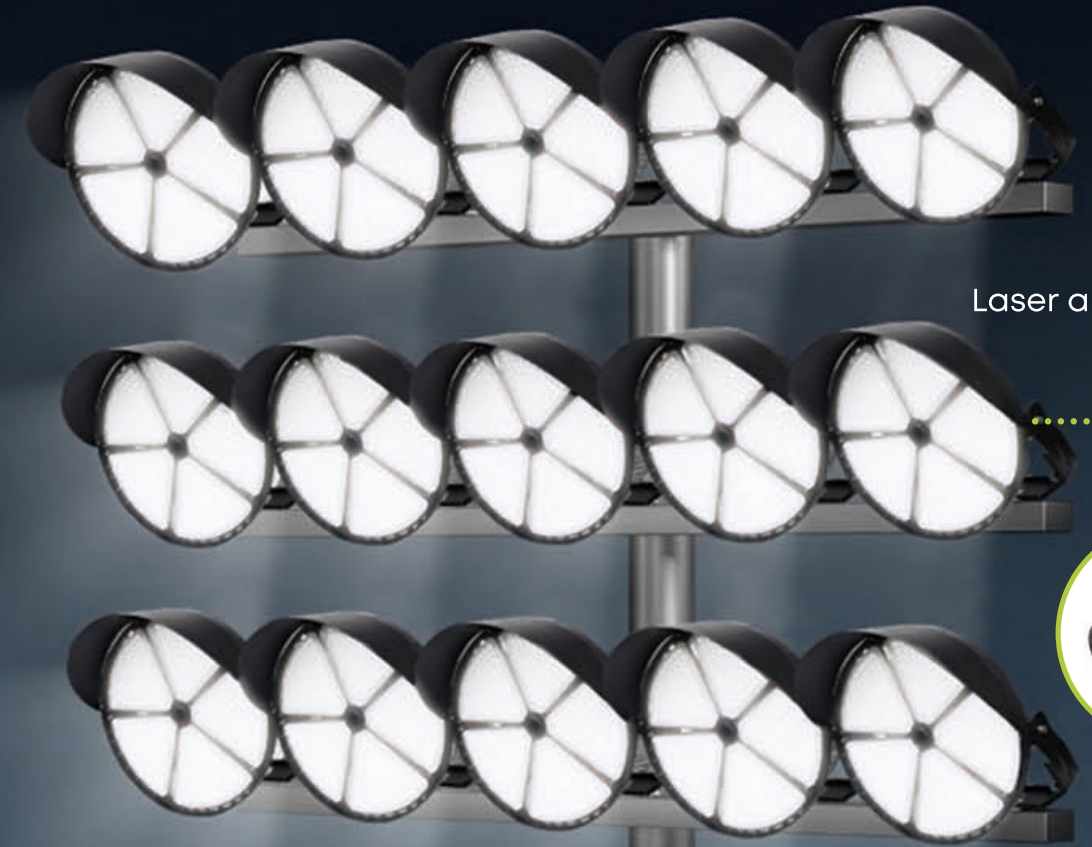
Galvanized Steel Pole

Option:
Drivers installed remotely from the fixture body and stay in reserved space. (Cable length between fixture body and driver should be confirmed beforehand)

Electrical Components Enclosure

Precast Concrete Base

Integrated lightning Ground System

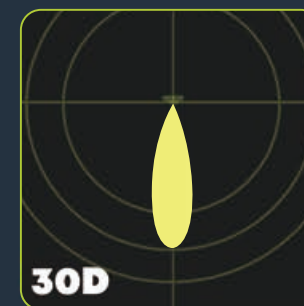
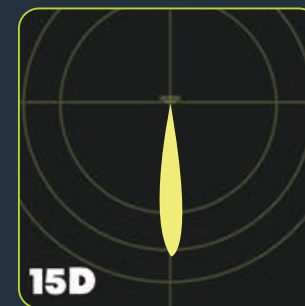


Laser aiming & Visor
Optional



Laser aiming

Photometric Design



> Application Reference



*Due to the constant improvements in product development, individual parameters might change. Please refer to our sales or R&D team for most up-to-date content as specifications are subject to change without notice.

> Application Reference



Parameter Table

Electrical Specifications						
Model	AOK-300WoFS	AOK-400WoFS	AOK-460WoFS	AOK-750WoFS	AOK-960WoFS	
Power(W)	300 W	400 W	460 W	750 W	960 W	
Input voltage	100-277VAC, 50/60Hz, 347/480VAC optional					
THD	<20%					
PF	>0.90					
UGR	<19					
Control Option	DALI, 1-10V/ PWM/ timer dimming, Nema, Zhaga, Photocell.					
Operating temperature	-40°C to 50°C (-40 °F to 122 °F)					
Driver brand	Meanwell					
Surge Protection	10kV / 20kV optional					
Photometric Specifications						
Efficacy(lm/W) (CRI 70Ra, 4000K) (Std. Dev ±3%)	15D	150 lm/W	145 lm/W	140 lm/W	145 lm/W	130 lm/W
	30D	165 lm/W	163 lm/W	160 lm/W	145 lm/W	130 lm/W
	60D	165 lm/W	163 lm/W	160 lm/W	145 lm/W	130 lm/W
	90D	165 lm/W	163 lm/W	160 lm/W	--	--
Luminous flux (lm) (CRI 70Ra, 4000K) (Std. Dev ±3%)	15D	45000 lm	58000 lm	64400 lm	108750 lm	124800 lm
	30D	49500 lm	65200 lm	73600 lm	108750 lm	124800 lm
	60D	49500 lm	65200 lm	73600 lm	108750 lm	124800 lm
	90D	49500 lm	65200 lm	73600 lm	--	--
ULOR	= 0%, @ Luminaire inclination 0°					
CCT	3000K, 4000K, 5000K, 5700K, 6500K					
CRI	Ra70, Ra80, Ra90 optional					
Beam angle	15D/30D/60D/90D			15D/30D/60D		
Mechanical Specifications						
IP/IK	IP66/IK10, according to standard EN 60529 and EN 62262					
Vibration resistance	3G, conform to standard IEC 68-2-6.					
SCx (EPA)	Front: 0.30658m ² (3.29ft ²); Side: 0.283354m ² (3.04ft ²)		Front: 0.265331m ² (2.86ft ²); Side: 0.255483m ² (2.75ft ²)			
Housing/Materials	Heavy-duty die-cast aluminum (EN AC-46100)					
Surface treatment	Anti-UV thermosetting polyester/80 micron epoxy primer, Anti-UV thermosetting polyester (for extremely corrosive environments).					
Painting	Black, Custom request					
Cable	Pre-wired with a 1.5m cable (Other lengths on request)					
Mounting	Under Mount Yoke (with or without driver box)					
LED						
LED manufacturer	LUMILEDS/Seoul					
LED model	Lumileds 5050/Seoul 3535					
Number of LED	15D	140	140	140	420	420
	30D	280	350	350	420	420
	60D	280	350	350	420	420
	90D	280	350	350	*	*
Working current of single LED(NV/HV)	15D	88	117	135	74/604	94/773
	30D	173	47	54	74/604	94/773
	60D	173	47	54	74/604	94/773
	90D	173	47	54	*	*
Lens	Polycarbonate, modular design					
Others						
Lifespan	L90B10 > 52000h, @Ta 25°C					
Warranty	5 years (Warranty extension up to 10 years on request)					
Certification	UL/cUL/FCC/CE/ENEC/SAA/GS, For other certificates please request					
Product size	φ554*313mm			φ545*275mm		
Net Weight	20kg			27kg		
Carton size	740*680*300mm			800*740*350mm		
Gross weight	23kg			31.5kg		
Application field	Suitable for sports field, stadium, port, railway station, large out area.					

Construction

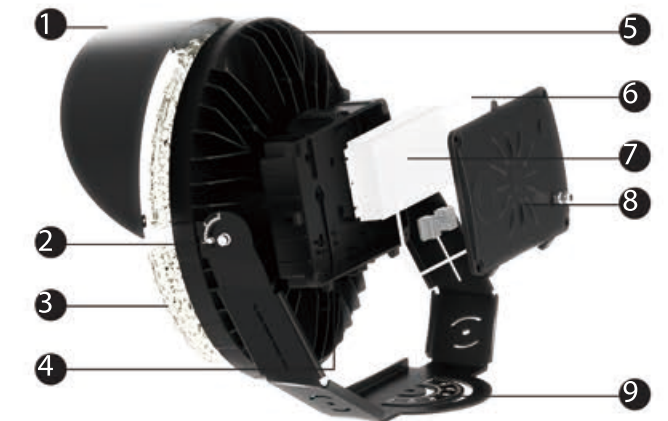
- Heavy duty die-cast aluminum housing.
- Driver compartment can be separated from the light fixture, reduced on the gross weight.
- Light engine is thermally isolated from the driver compartment.
- UV stabilized polyester powder paint finish.

Finish

- Rugged, weather-tight design and 3G Vibration ratings ensure durability even in harsh environments.

Construction Features of OFS Series

1. Visor (light shield)
2. Tilttable arm
3. Light source: top level performance LEDs, system efficacy up to 165lm/W
4. Space reserved for photocell sensor
5. Die casting fixture body
6. Gasket
7. Top level performance driver 1-10V dimmable
8. Driver box cover
9. 0 - ±90° Rotatable bracket



Ordering Information

AOK	WATTS	VOLTAGE	LED CHIPS	TYPE OF SENSOR	CCT&CRI	DISTRIBUTION	DRIVER	MOUNT
300WoFS	NV=100-277V	L5=LUMILEDS5050	00=Without Sensor	3070=3000K 70CRI	15D=15deg	INTEGRAL	UNDER MOUNT YOKE	
400WoFS	HV=347/480V	*S3=Seoul 3535	SN=Motion sensor	4070=4000K 70CRI	30D=30deg	REMOTE		
460WoFS			PH=Photocell	5070=5000K 70CRI	60D=60deg			
750WoFS			DV=Dimmable	5770=5700K 70CRI	*90D=90deg			
960WoFS				6570=6500K 70CRI				
				3080=3000K 80CRI			Accessories	
				4080=4000K 80CRI			SPD 10kV, 20kV optional	
				5080=5000K 80CRI			Light visor	
				5780=5700K 80CRI				
				6580=6500K 80CRI				

*90D is only available for 300W-460W

*Seoul 3535 is only available for 750W-960W

OFS Series Specification Sheet

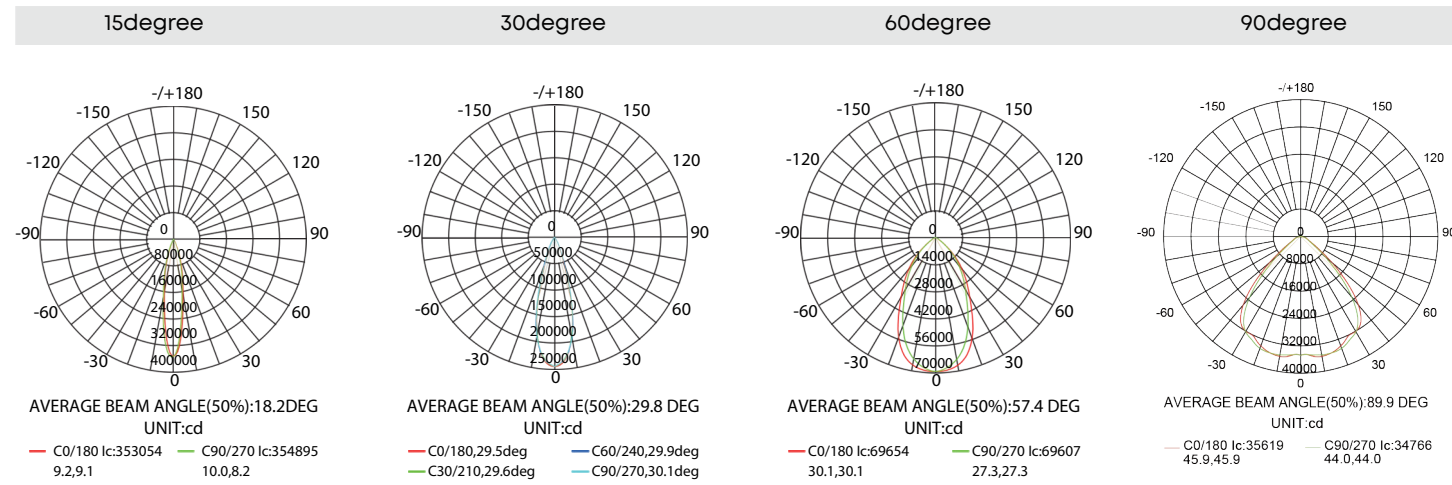
*Due to the constant improvements in product development, individual parameters might change. Please refer to our sales or R&D team for most up-to-date content as specifications are subject to change without notice.

wally@oakledlight.com
+1 626-986-4050 (US)
+86 755 2357 9148 (CN)

©2022 AOK LED LIGHT CO., LTD. All Right Reserved.

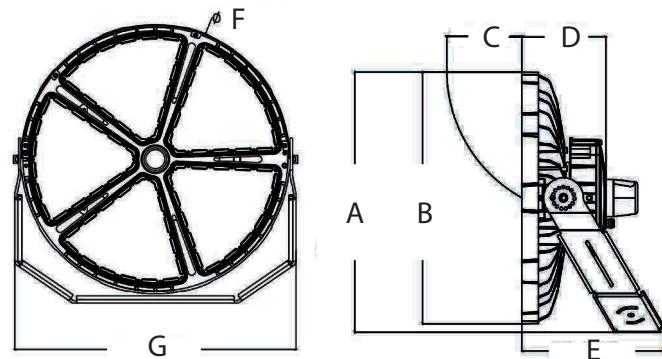


Photometrics



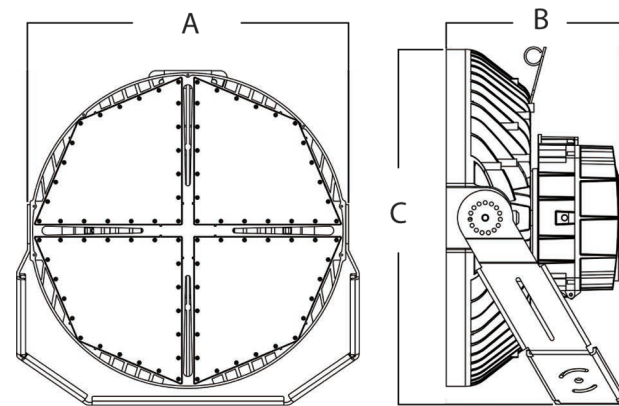
Dimensions

300W-460W



A	B	C	D
57.3cm/23'	Φ55.4cm/22'	16.5cm/6'	18.6cm/7'
E	F	G	
31.3cm/12'	55.6cm/22'	58.1cm/23'	

720W-960W



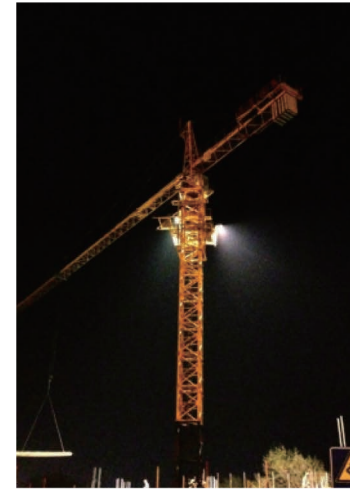
A	B	C
54.5cm/21.5'	27.5cm/10.9'	56.4cm/22.2'

Accessories

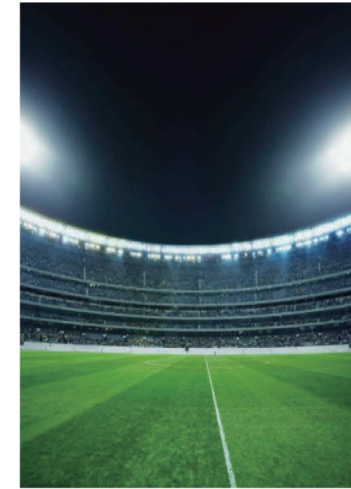


*As the products are upgraded, the accessories may differ from those described in the pictures. Please consult with our sales team for updated details and order separately.

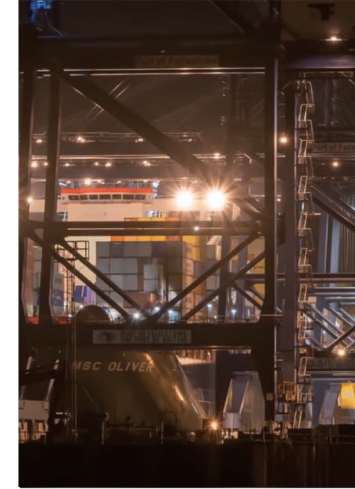
Recommended Installation



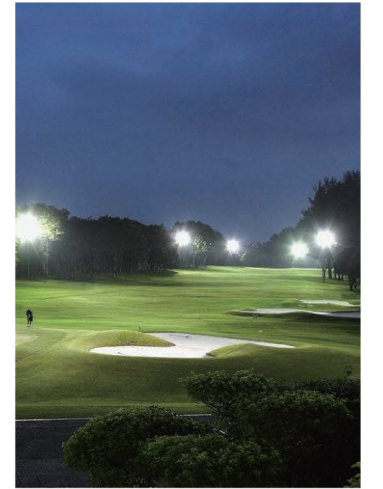
Building site



Indoor and outdoor courts



Sea port



Golf course

OFS Series Specification Sheet

*Due to the constant improvements in product development, individual parameters might change. Please refer to our sales or R&D team for most up-to-date content as specifications are subject to change without notice.

wally@aokledlight.com
+1 626-986-4050 (US)
+86 755 2357 9148 (CN)

©2022 AOK LED LIGHT CO., LTD. All Right Reserved.





Illuminate Your Future



5 Year Limited Warranty,
10 Year Preferred Warranty.
Please consult with our sales for detailed agreement.

wally@aokledlight.com
www.aokledlight.com
+1 626-986-4050 (US)
+86 755 2357 9148 (CN)

Manufacturing: Building 1 & 4, St. George's Science and Technology Industrial Park, Shajing Street, Shenzhen, China, 518124.
Fuzhou HQ: Room 301, Yujing Business Center Zone 1, No. 12 Baihuazhou road, Cangshan district, Fuzhou, China, 350007
NorthAmerica HQ: 18541 E Gale Ave, City of Industry, CA91748 USA

Copyright ©2022 AOK LED LIGHT CO., LTD. All Right Reserved.